

SNAP PAC BRAINS USER'S GUIDE

SNAP-PAC-EB1

SNAP-PAC-EB2

SNAP-PAC-EB1-FM

SNAP-PAC-EB2-FM

SNAP-PAC-EB1-W

SNAP-PAC-EB2-W

SNAP-PAC-SB1

SNAP-PAC-SB2

SNAP PAC BRAINS USER'S GUIDE

SNAP-PAC-EB1
SNAP-PAC-EB2
SNAP-PAC-EB1-FM
SNAP-PAC-EB2-FM
SNAP-PAC-EB1-W
SNAP-PAC-EB2-W
SNAP-PAC-SB1
SNAP-PAC-SB2

Form 1690-170615—June 2017

OPTO 22
Automation made simple.

43044 Business Park Drive • Temecula • CA 92590-3614
Phone: 800-321-OPTO (6786) or 951-695-3000
Fax: 800-832-OPTO (6786) or 951-695-2712
www.opto22.com

Product Support Services

800-TEK-OPTO (835-6786) or 951-695-3080
Fax: 951-695-3017
Email: support@opto22.com
Web: support.opto22.com

SNAP PAC Brains User's Guide
Form 1690-170615—June 2017

Copyright © 2007–2017 Opto 22.
All rights reserved.

Printed in the United States of America.

The information in this manual has been checked carefully and is believed to be accurate; however, Opto 22 assumes no responsibility for possible inaccuracies or omissions. Specifications are subject to change without notice.

Opto 22 warrants all of its products to be free from defects in material or workmanship for 30 months from the manufacturing date code. This warranty is limited to the original cost of the unit only and does not cover installation, labor, or any other contingent costs. Opto 22 I/O modules and solid-state relays with date codes of 1/96 or newer are guaranteed for life. This lifetime warranty excludes reed relay, SNAP serial communication modules, SNAP PID modules, and modules that contain mechanical contacts or switches. Opto 22 does not warrant any product, components, or parts not manufactured by Opto 22; for these items, the warranty from the original manufacturer applies. Refer to Opto 22 form 1042 for complete warranty information.

Wired+Wireless controllers and brains are licensed under one or more of the following patents: U.S. Patent No(s). 5282222, RE37802, 6963617; Canadian Patent No. 2064975; European Patent No. 1142245; French Patent No. 1142245; British Patent No. 1142245; Japanese Patent No. 2002535925A; German Patent No. 60011224.

Opto 22 FactoryFloor, *groov*, Optomux, and Pamux are registered trademarks of Opto 22. Generation 4, *groov* Server, ioControl, ioDisplay, ioManager, ioProject, ioUtilities, *mistic*, Nvio, Nvio.net Web Portal, OptoConnect, OptoControl, OptoDataLink, OptoDisplay, OptoEMU, OptoEMU Sensor, OptoEMU Server, OptoOPCServer, OptoScript, OptoServer, OptoTerminal, OptoUtilities, PAC Control, PAC Display, PAC Manager, PAC Project, PAC Project Basic, PAC Project Professional, SNAP Ethernet I/O, SNAP I/O, SNAP OEM I/O, SNAP PAC System, SNAP Simple I/O, SNAP Ultimate I/O, and Wired+Wireless are trademarks of Opto 22.

ActiveX, JScript, Microsoft, MS-DOS, VBScript, Visual Basic, Visual C++, Windows, and Windows Vista are either registered trademarks or trademarks of Microsoft Corporation in the United States and other countries. Linux is a registered trademark of Linus Torvalds. ARCNET is a registered trademark of Datapoint Corporation. Modbus is a registered trademark of Schneider Electric, licensed to the Modbus Organization, Inc. Wiegand is a registered trademark of Sensor Engineering Corporation. Allen-Bradley, CompactLogix, ControlLogix, MicroLogix, SLC, and RSLogix are either registered trademarks or trademarks of Rockwell Automation. CIP and EtherNet/IP are trademarks of ODVA. Raspberry Pi is a trademark of the Raspberry Pi Foundation.

groov includes software developed by the OpenSSL Project for use in the OpenSSL Toolkit. (<http://www.openssl.org>)

All other brand or product names are trademarks or registered trademarks of their respective companies or organizations.

Opto 22
Automation Made Simple.

Table of Contents

OPTO 22

Chapter 1: Introduction	1
About SNAP PAC Brains	1
I/O Processing	1
Communications	2
Wired+Wireless Communication	2
PAC Project Software Suite	2
Other Communication Methods	3
Custom Software	3
About this Guide.....	3
Other Documents You May Need	4
For Help.....	5
Chapter 2: Installing a SNAP PAC Brain	7
What You Will Need.....	7
Installing Software	8
Installing Hardware	8
Installing Modules on the Rack	8
Removing a Module	9
Installing the Brain	10
Setting Up Ethernet Networking	10
Setting Up Serial Networking	11
Guidelines for Grounding SNAP PAC Brains and Controllers	12
Serial Wiring Diagrams	13
What's Next?.....	16
Chapter 3: System Architecture	17
Communication Options	17
SNAP PAC Ethernet Brains	17
Simultaneous Communication	18
SNAP PAC Serial Brains	19
Accessing SNAP PAC Brains Over the Internet	19
Choosing Communication Methods	20
System Architecture.....	21
SNAP PAC Brains as Part of a Distributed SNAP PAC System	21

SNAP PAC Wired+Wireless Brains	22
SNAP PAC Ethernet Brain in an Allen-Bradley Logix System	23
SNAP PAC Ethernet Brain as an Independent I/O Processor	23
SNAP PAC Serial Brain as an Independent I/O Processor	25
Ethernet Networking	26
Connecting Directly to a PC or Controller	26
Attaching to an Existing Ethernet Network	26
Developing an Independent Ethernet Network	27
Using the Brain in a Wireless LAN	27
Using SNAP PAC Ethernet Brain Wired Network Interfaces	28
Correct Connections for Daisy-Chaining	29
Incorrect Network Connections	29
Specifications	30
Specifications	30
LEDs and Network Interfaces—Wired Ethernet Brains	31
LEDs and Network Interfaces—Wired+Wireless Brains	31
LEDs and Network Interfaces—Serial Brains	32
SNAP PAC Brain Comparison Chart	33
Feature Descriptions	35

Chapter 4: Maintenance and Troubleshooting39

Introduction	39
Maintaining the SNAP PAC Brain	39
Backup Battery	39
Changing the Ethernet Brain's IP Address	40
Resetting the Brain	40
Loading New Firmware	40
Setting Time and Date	40
Blink Codes	41
Self-Test LED Sequence at Startup	41
Normal LED Behavior: MS, NS, and WLAN LEDs	41
STAT LED—Green	42
STAT LED—Orange	42
STAT LED—Red and Green	42
STAT LED—Red	42
Getting Device and Firmware Information	43
Troubleshooting SNAP PAC Brains	46
Communicating with a Wired EB Brain	46
Pinging the Brain	46
Accessing the Ethernet Brain with PAC Manager	47
Solving Ethernet Network Problems	48
Communicating with the SB Brain	49
Timeout Errors when Communicating via a Controller	50
Turning on Communication Error Blink Codes (Serial Brain)	50
Additional Troubleshooting Tools	52
Making Sure the Brain is in Normal Mode	52
TCP Settings (Ethernet Brains)	52

Appendix A: Serial Cables and Addressing	55
Serial Cables	55
Address Table.....	55
Index	57



1: Introduction

About SNAP PAC Brains

SNAP PAC brains are powerful and versatile I/O and network communications processors for your SNAP PAC System™. These brains are designed primarily to work in distributed systems controlled by a SNAP PAC programmable automation controller, but SNAP PAC Ethernet brains can also be used as intelligent remote I/O in an Allen-Bradley® Logix-based PLC system.

All SNAP PAC brains provide local intelligence that frees the controller for supervisory tasks. SNAP PAC brains can also be used independently for standalone I/O processing and communication.

SNAP PAC brains use either Ethernet networks or serial networks.

- The **Ethernet Brains—SNAP-PAC-EB1** and **SNAP-PAC-EB2**—share the same functions and features except that the SNAP-PAC-EB1 provides high-speed digital functions. The SNAP-PAC-EB2 does not offer high-speed digital. **SNAP-PAC-EB1-FM** and **SNAP-PAC-EB2-FM** are Factory Mutual-approved versions of these two brains.

The **SNAP-PAC-R1-W** and **SNAP-PAC-R2-W** are Wired+Wireless® models, which retain all the same features and add a wireless LAN interface. For more information on Wired+Wireless, see [page 2](#).

- The two **Serial Brains—SNAP-PAC-SB1** and **SNAP-PAC-SB2**—are like each other in their functions and features except that the SNAP-PAC-SB1 provides high-speed digital functions. The SNAP-PAC-SB2 does not offer high-speed digital.

Because the EB brains and SB brains run on different networks, some of their features differ. For a comparison of brain features, see [page 33](#).

I/O Processing

As an I/O processor, the SNAP PAC brain provides the local intelligence to independently handle functions such as latching, counting, thermocouple linearization, watchdog timers, and PID loop control. These functions continue to work on the brain even if communication with the controller is lost.

Each SNAP PAC brain mounts on a SNAP PAC rack with up to 4, 8, 12, or 16 SNAP I/O™ modules. Each module provides from 1 to 32 I/O points, depending on the module.

SNAP PAC **Ethernet brains**, both wired and Wired+Wireless, support all the SNAP I/O analog, digital, serial, and special-purpose input and output modules available on the Opto 22 website. SNAP PAC **Serial brains** support all analog and digital SNAP I/O modules (including high-density).

All SNAP I/O modules can be mixed on the same mounting rack and placed in any position on the rack, to accommodate the required mix of signals at any location. For more information on mounting racks, see Opto 22 form #1684, the *SNAP PAC Racks Data Sheet*. For more information on I/O modules, visit our website at www.opto22.com.

Communications

In addition to I/O processing, SNAP PAC brains provide communication through a choice of networks:

- **Wired Ethernet—SNAP-PAC-EB1, SNAP-PAC-EB1-FM, SNAP-PAC-EB2, and SNAP-PAC-EB2-FM** brains communicate over a standard 10/100 Mbps Ethernet network. Each brain is equipped with two switched Ethernet network interfaces. Because these interfaces share a single IP address and act just like an Ethernet switch, SNAP PAC brains can be installed in a multi-drop (daisy-chain) configuration, extending the control network without the expense of additional Ethernet network hardware. SNAP PAC brains can also be installed in a star configuration using standard, off-the-shelf Ethernet network components.
- **Wired+Wireless Ethernet—SNAP-PAC-EB1-W and SNAP-PAC-EB2-W**, like their wired counterparts, communicate over a standard 10/100 Mbps Ethernet network and are equipped with two switched Ethernet network interfaces. In addition, they have a wireless LAN interface, which is a separate interface card with its own IP address. See [“Wired+Wireless Communication,”](#) below, for more information.
- **Serial—SNAP-PAC-SB1 and SNAP-PAC-SB2** brains communicate over a standard RS-485 network, either two-wire or four-wire, using a binary protocol. Baud rates from 300 to 230,400 bps are supported. There are 256 possible multidrop addresses.

Wired+Wireless Communication

SNAP-PAC-EB1-W and SNAP-PAC-EB2-W brains offer a choice of networks. They can be used on a wired network, on a wireless LAN, or on both at the same time. For flexibility in designing your wireless network, 802.11a, b, and g standards are supported.

Wired+Wireless EB brains can be used with Wired+Wireless SNAP PAC S-series and R-series controllers and a variety of wireless switches and other infrastructure hardware. For the best security, the 802.11i WPA2/AES standard is supported, while older WPA and WEP security standards are included for backwards compatibility.

Because wireless functionality is in the brain itself, no additional parts are required for wireless I/O processing or communication. All SNAP PAC racks and SNAP I/O modules can be used either wired or wirelessly. You can switch from one network to the other without reconfiguring I/O or changing field wiring. All features work the same on both networks. See the feature chart on [page 33](#).

PAC Project Software Suite

SNAP PAC brains are most often used as part of a SNAP PAC System, communicating primarily with a SNAP PAC programmable automation controller. SNAP PAC R-series controllers can communicate with Ethernet brains only; SNAP PAC S-series controllers can communicate with both serial and Ethernet brains at the same time. The controller runs a control program, called a *strategy*, which you develop using PAC Project™ software.



The PAC Project Software Suite comes in two forms, Basic and Professional:

- **PAC Project Basic™**, which is included in the purchase of a SNAP PAC controller, consists of control programming, human-machine interface (HMI) creation, and configuration software.
- **PAC Project Professional™** is available for purchase and adds OptoOPCServer™ for OPC communications, OptoDataLink™ for database connectivity, and additional features.

For more information about PAC Project, see form #1699, the *PAC Project Data Sheet*, available on our website, www.opto22.com.

Other Communication Methods

While most customers use the PAC Project software suite for control, monitoring, and data acquisition, SNAP PAC brains can communicate using other several other methods.

SNAP PAC EB brains can be used as intelligent remote I/O in an Allen-Bradley® RSLogix® PLC system, and both EB and SB brains can be used as standalone I/O and communications processors for PC-based I/O.

SNAP PAC Ethernet brains support communication using multiple protocols running simultaneously over Ethernet. You can communicate with SNAP PAC Ethernet brains using EtherNet™/IP for Allen-Bradley systems, Modbus®/TCP, SNMP for network management, FTP for the brain's built-in file system, SMTP (email client), and Opto 22's own memory-mapped OptoMMP protocol. Communication with OPC 2.0-compliant clients is available through OptoOPCServer.

- For **EtherNet/IP**, see Opto 22 form #1770, the *EtherNet/IP for SNAP PAC Protocol Guide*.
- For **Modbus/TCP**, see form #1678, the *Modbus/TCP Protocol Guide*.
- For **SNMP**, **FTP**, and **SMTP**, see form #1704, the *PAC Manager User's Guide*.
- For **OptoMMP**, see form #1465, the *OptoMMP Protocol Guide*.
- For **OPC** connectivity, use OptoOPCServer, available either as part of PAC Project Professional or for separate purchase. See our website for more information.

SNAP PAC serial brains support communication using OptoMMP, Opto 22's open and documented memory-mapped protocol. See form #1465, the *OptoMMP Protocol Guide*.

Custom Software

If you are not using PAC Project and want to develop custom software to communicate with the brain, the **OptoMMP Communication Toolkit** is available for free on our website, www.opto22.com. The toolkit includes ActiveX components and C++ classes, so you can use programming tools such as Visual Basic or Visual C++ to communicate with the brain. See form #1465, the *OptoMMP Protocol Guide*, for more information.

About this Guide

This guide shows you how to install and use SNAP PAC brains. This guide assumes that you are already familiar with networking (serial, wired Ethernet, or wireless LAN) for the types of brains you'll be using. If you are not familiar with these subjects, we strongly suggest you consult commercially available resources to learn about them before attempting to install or use SNAP PAC brains.

The following sections are included in this user's guide:

Chapter 1: Introduction—information about the guide and how to reach Opto 22 Product Support.

Chapter 2: Installing a SNAP PAC Brain—quick-start steps to get SNAP PAC brains up and running quickly.

Chapter 3: System Architecture—conceptual information on networking and communicating with SNAP PAC brains, and brain specifications.

Chapter 4: Maintenance and Troubleshooting—changing IP addresses, resetting the brain to factory defaults, and upgrading firmware; blink codes and other troubleshooting assistance.

Appendix A: Serial Cables and Addressing—for SNAP PAC serial brains, shows how to set address switches for all possible brain addresses.

Other Documents You May Need

See the following additional guides for the information listed. All guides are available on the Opto 22 website, www.opto22.com; some are included on the CD that came with the SNAP PAC brain.

For this information	See this guide	Form #
Assigning IP address, loading new firmware, etc.	<i>PAC Manager User's Guide</i>	1704
Designing flowchart-based control programs for the system (requires a SNAP PAC S-series or R-series industrial controller)	<i>PAC Control User's Guide</i>	1700
	<i>PAC Control Command Reference</i>	1701
	<i>PAC Control Commands Quick Reference Card</i>	1703
Communicating with SNAP PAC brains using OPC*	<i>OptoOPCServer User's Guide</i>	1439
Connecting the SNAP PAC System with databases	<i>OptoDataLink User's Guide</i>	1705
Communicating between SNAP PAC Ethernet brains and Allen-Bradley Logix PLCs	<i>EtherNet/IP for SNAP PAC Protocol Guide</i>	1770
Communicating with SNAP PAC Ethernet brains using Modbus/TCP	<i>Modbus/TCP Protocol Guide</i>	1678
Programming your own applications for SNAP PAC brains using the OptoMMP Communication Toolkit or the OptoMMP memory-mapped protocol	<i>OptoMMP Protocol Guide</i>	1465

*OptoOPCServer communication with SNAP PAC Serial brains requires a SNAP PAC controller.

For Help

If you have problems installing or using SNAP PAC brains and cannot find the help you need in this guide or on our website, contact Opto 22 Product Support.

Phone: 800-TEK-OPTO (800-835-6786
toll-free in the U.S. and Canada)
951-695-3080
Monday through Friday,
7 a.m. to 5 p.m. Pacific Time

NOTE: Email messages and phone calls to Opto 22 Product Support are grouped together and answered in the order received.

Fax: 951-695-3017

Email: support@opto22.com

Opto 22 website: www.opto22.com

When calling for technical support, you can help us help you *faster* if you can provide the following information to the Product Support engineer:

- Software product and version (available by clicking Help > About in the application's menu bar). (When contacting us, please send a screen capture of the Help > About dialog box.)
- Opto 22 hardware part numbers or models that you're working with.
- Firmware version (available in PAC Manager by clicking Tools > Inspect).
- Specific error messages you saw.
- Version of your computer's operating system.

2: Installing a SNAP PAC Brain

If you already know how you will use the SNAP PAC brain and want to get it running quickly, follow the sections in this chapter.

To learn about communication options and networking, start on [page 17](#). Specifications are listed on [page 30](#).

What You Will Need

You'll need the following items to install a SNAP PAC brain:

- A PC running any of the following operating systems:
 - Microsoft® Windows® 10 Professional (32-bit or 64-bit)
 - Microsoft Windows 8.1 Professional (32-bit or 64-bit)
 - Microsoft Windows 7 Professional (32-bit or 64-bit)
 - Microsoft Windows Vista® Business (32-bit only)
- **For an Ethernet connection**, the PC also needs a 10/100 MB Ethernet adapter card, the TCP/IP protocol installed, and a valid IP address, on the same subnet as the brain. (For more information, see [“Ethernet Networking” on page 26](#).) In addition, you need a standard Ethernet cable for direct connection to the PC (recommended), or an available connection to a standard 10BASE-T or 100BASE-TX Ethernet network.

NOTE: Wired+Wireless models must be initially configured using a wired interface. Once IP addresses and wireless communication parameters are set, the brain can be used wirelessly.

- **For a serial connection**, RS-485 (2-wire or 4-wire) connection to a SNAP PAC S-series controller or to a PC with an Opto 22 PCI-AC48 adapter card. (See [“Setting Up Serial Networking” on page 11](#) for more information and wiring diagrams.)
- SNAP PAC brain (See [page 33](#) for a chart comparing models.)
- SNAP PAC mounting rack and SNAP I/O modules chosen for your application.
- A SNAP-PS5 or SNAP-PS5U power supply or other 5 VDC power supply (-0/+0.1 VDC at 4.0 A) applied to the rack. (Additional power may be required for SNAP I/O modules depending on the number and type of modules used. See the module data sheets on our website, www.opto22.com, for information.)

Installing Software

In your CD-ROM drive, insert the CD that came with the brain. The installation wizard should start automatically. If it doesn't, use Windows Explorer to navigate to your CD-ROM drive and then double-click setup.exe. Follow directions to install the software.

Installing Hardware

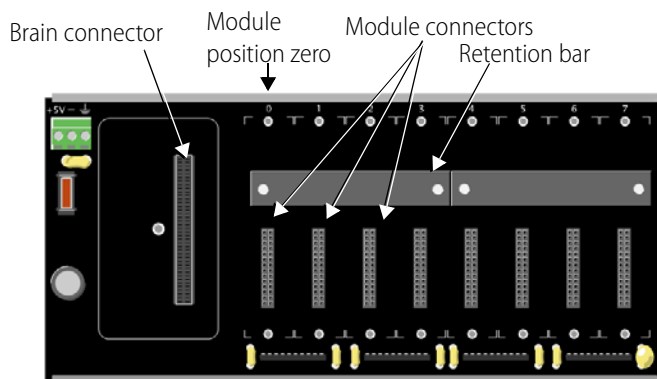
Assemble the rack and power supply according to the directions that came with them.

Installing Modules on the Rack

Modules snap into place in the row of connectors on the rack. Each module connector has a number. Ethernet-based brains, both standard wired and Wired+Wireless models) support all SNAP I/O modules. Serial-based brains support all SNAP I/O analog and digital modules (including high-density modules).

NOTE: Any type of module can be placed in any position on the rack. Check module data sheets for power requirements and any quantity limitations. See the chart on [page 33](#) for brain compatibility.

1. Place the rack so that the module connector numbers are right-side up, with zero on the left.



2. Position the module over the module connector, aligning the small slot at the base of the module with the retention bar on the rack.

3. With the module correctly aligned over the connector, push on the module to snap it into place.

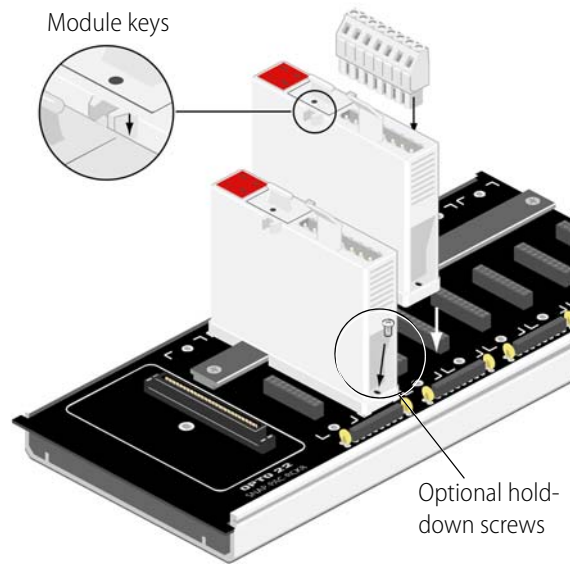
When positioning modules next to each other, be sure to align the male and female module keys (shown in the detailed view in the illustration at right) before snapping a module into position.

Modules snap securely into place and require a special tool (provided) for removal. To remove a module, see [page 9](#).

4. (Optional) Use standard 4-40 x 1/2 truss-head Phillips hold-down screws to secure both sides of each module.

CAUTION: Do not over-tighten screws.

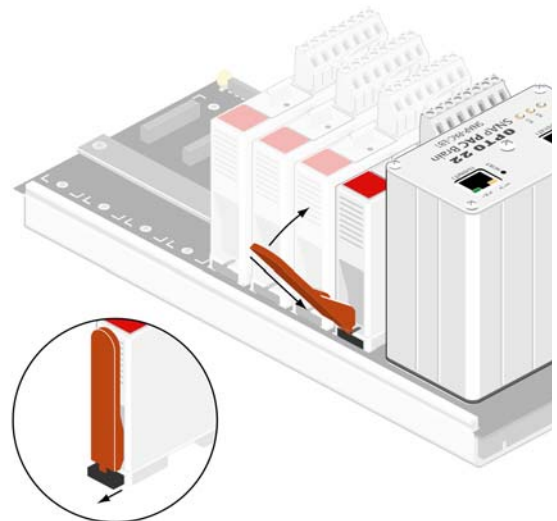
5. Plug the wiring connector into each module to attach modules to the devices they monitor.
Wiring diagrams are in the module's data sheet.



Removing a Module

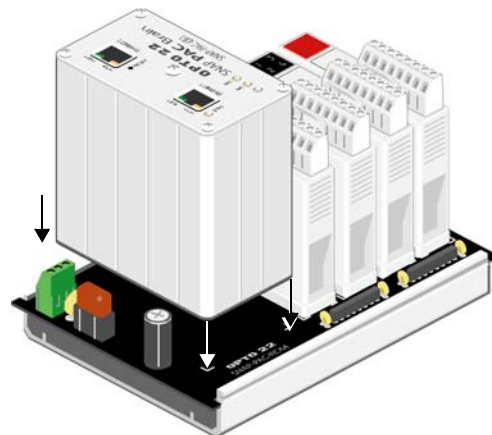
If you need to remove a module, follow these steps.

1. If the modules are held in place with screws, remove them.
2. Holding the SNAP module tool (provided) as shown in the illustration at right, insert it into the notch at the base of the module.
3. Squeeze the module tool against the module to open the release latch, and pull straight up on the module to remove it.
4. Continue with [“Installing the Brain” on page 10](#).



Installing the Brain

1. Remove the brain from its packaging.
2. Turn off power to the rack assembly.
3. Align the brain connector with the mating connector on the mounting rack.
4. Seat the brain onto the connector and use the hold-down screw to secure the brain in position. Do not overtighten.
5. To attach network cabling and configure addressing, skip to one of the following:
 - “Setting Up Ethernet Networking” on page 10.
 - “Setting Up Serial Networking” on page 11.



Setting Up Ethernet Networking

NOTE: Wired+Wireless models must be initially configured using a wired interface.

1. For an Ethernet brain (either a standard wired or Wired+Wireless model), use Category 5 or superior solid unshielded twisted-pair cable to connect the brain in one of the following ways:
 - (Recommended for initial configuration) Connect to a PC directly, using a standard Ethernet cable.
 - Connect to a standard 10BASE-T or 100BASE-TX Ethernet network that has a PC on the same subnet as the brain and does NOT have a Dynamic Host Configuration Protocol (DHCP) server.
Maximum cable or segment length is 100 meters; minimum cable length is one meter.

NOTE: When connecting the controller to a managed switch, make sure the managed switch's port configuration is set to Auto for the Duplex setting and Auto for the Speed setting.

2. **Before** turning on power to the rack, follow instructions in Opto 22 form #1704, the *PAC Manager User's Guide*, to assign an IP address to the brain. **Exception:** If you are using the brain with an Allen-Bradley Logix system, follow instructions in form #1770, the *EtherNet/IP for SNAP PAC Protocol Guide*.

These guides are in Adobe Acrobat PDF format on the CD that came with the brain and are also available from our website, www.opto22.com.

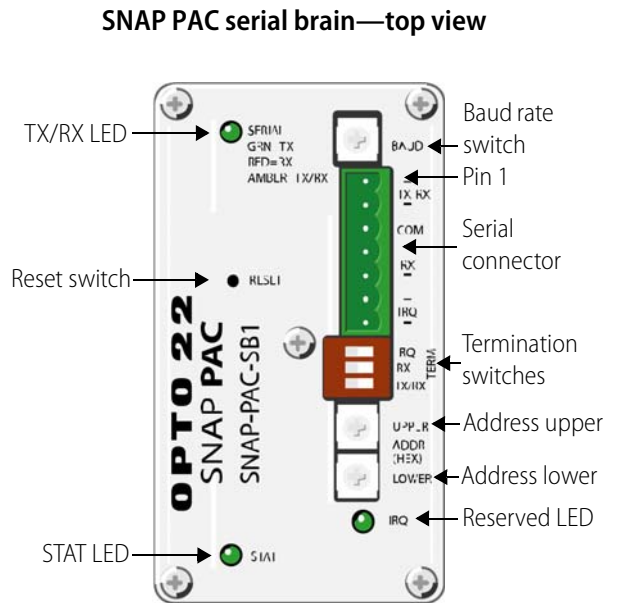
Setting Up Serial Networking

The serial brain can be connected to a SNAP PAC S-series controller or to a PC equipped with an Opto 22 PCI-AC48 adapter card, which provides an RS-485 serial converter.

If you are using PAC Control software, connect the brain to an S-series controller.

Follow the diagram at right and the steps below to set up serial networking.

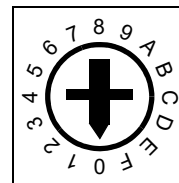
1. Attach an RS-485 serial cable to the serial port. (See [Appendix A: Serial Cables and Addressing](#) for cable recommendations).
2. Follow the wiring diagrams beginning on [page 13](#) for the serial network.
3. Rotate the baud rate switch to set the desired baud rate, as follows:



Baud rate	Switch position
(Reserved)	F
230400 bps	E
115200 bps	D
76800 bps	C
57600 bps	B
38400 bps	A
19200 bps	9
9600 bps	8

Baud rate	Switch position
4800 bps	7
2400 bps	6
1200 bps	5
600 bps	4
300 bps	3
(Reserved)	2
(Reserved)	1
(Reserved)	0

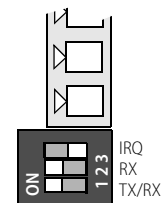
Baud Rate Switch



4. Set termination and biasing:

Termination: RS-485 Termination should be applied at the first device (typically a SNAP PAC S-series controller or PCI-AC48) and at the last SB brain on the RS-485 communication link. For proper termination settings, see the wiring diagrams starting on [page 13](#).

Biasing: Biasing should be applied at one location on the RS-485 communication link. Each SB brain has a very small amount of fixed bias. Be sure to apply biasing at the host device, which is typically a SNAP PAC S-series controller or a PCI-AC48.



See the wiring diagrams starting on [page 13](#).

NOTE: Bias on a SNAP PAC SB brain is always ON.

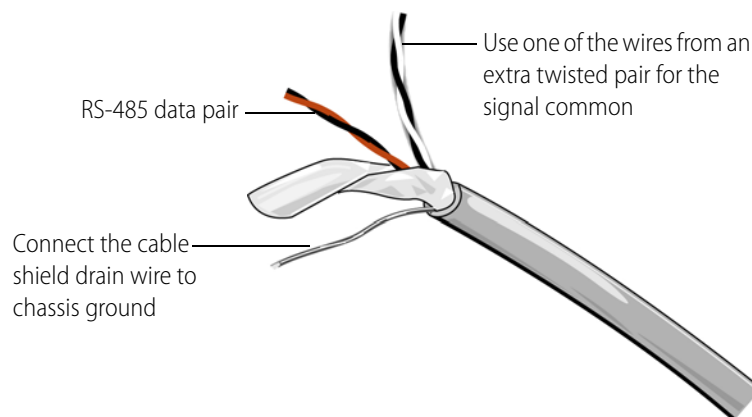
5. Use the two rotary address switches to set the unit's address.

There are 256 possible addresses, 0–255. See [Appendix A: Serial Cables and Addressing](#) for a table of addresses and how to set them using the two 16-position rotary address switches.

Guidelines for Grounding SNAP PAC Brains and Controllers

Power supply side: The DC output of the power supply to the I/O unit (or controller) should be "floating," which means the negative output terminal is not tied to ground.

RS-485 serial cable side: Connect the signal common from the controller to the signal common on each of the I/O units using an insulated wire that is part of the serial cable. Though sometimes hard to find, there are cables that have a twisted pair for serial communication plus an additional insulated wire for common. However, it might be easier to obtain a cable that has an extra twisted pair and then use one of the wires from this extra pair for the signal common connections.



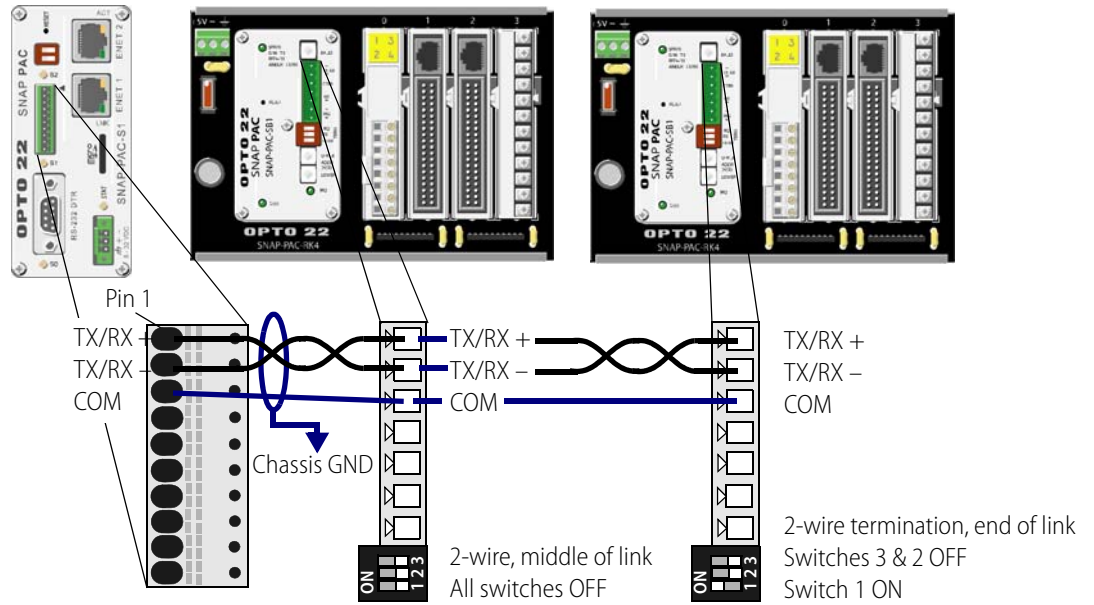
NOTE: Make sure there are enough wires in the cable for a separate insulated signal common wire. Do not connect the signal common wire to chassis ground. Do not use the overall cable shield drain wire as the signal common.

Connect the cable shield drain wire of the serial cable to chassis ground at one location only. If the shield is not continuous from one I/O unit to the next, then the shield of each segment will need to be tied to chassis ground at one location only per segment.

Serial Wiring Diagrams

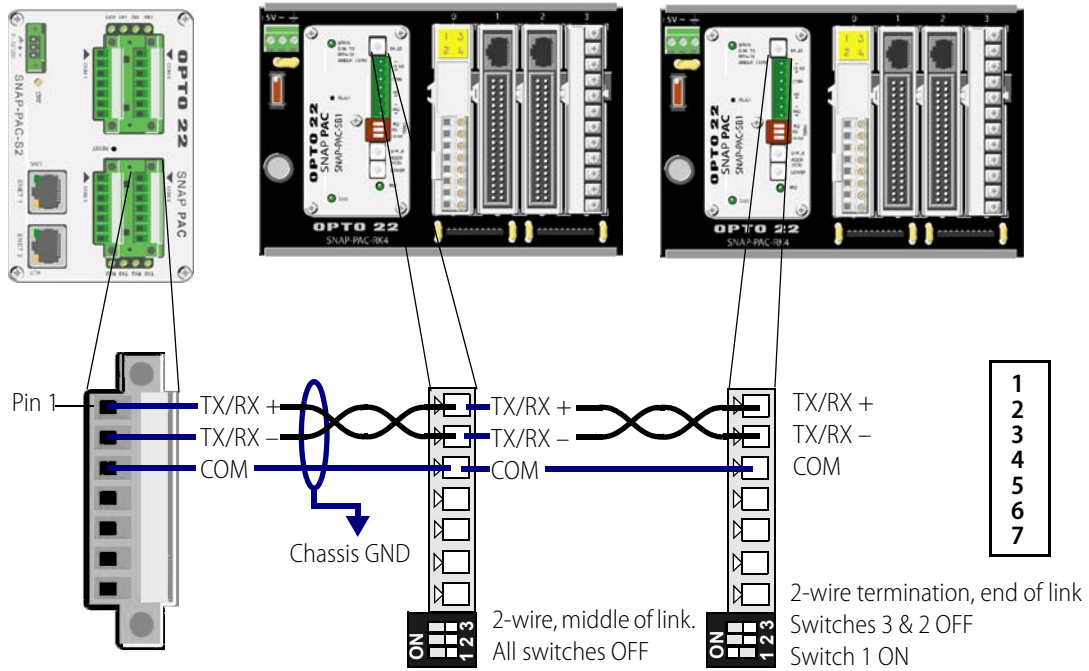
Wiring a SNAP PAC SB-Series Brain to a SNAP-PAC-S1 Controller

Two-wire

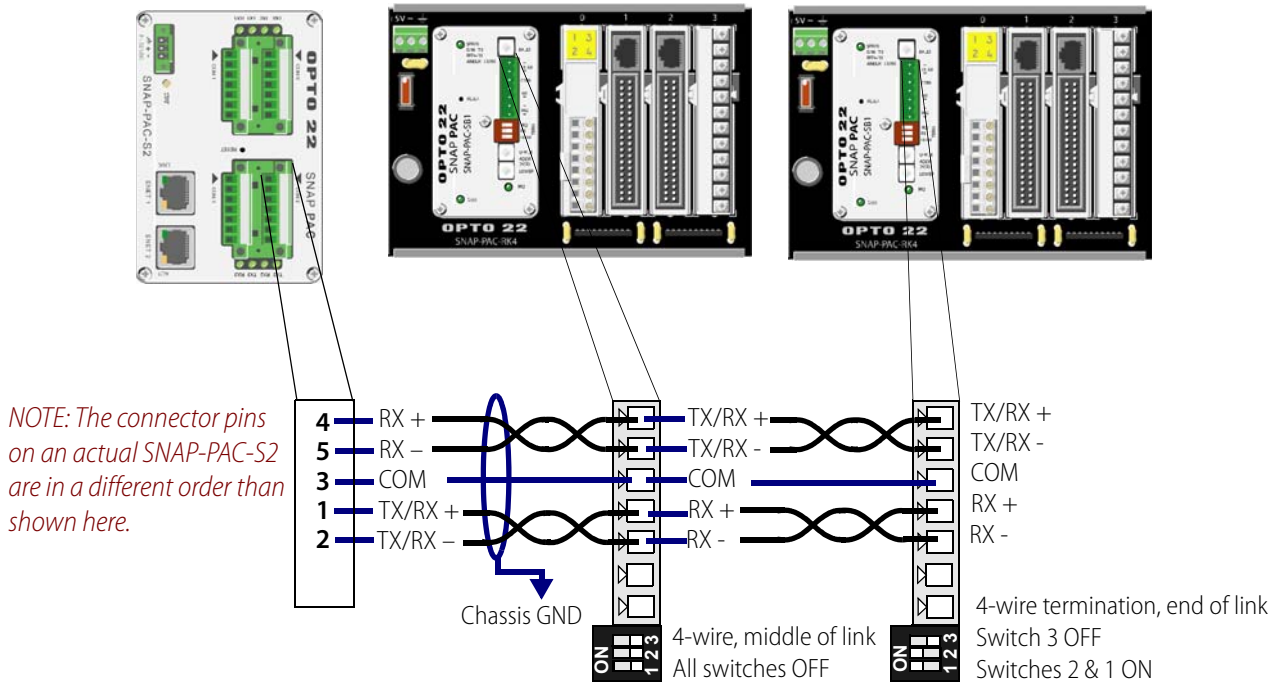


Wiring a SNAP PAC SB-Series Brain to a SNAP-PAC-S2 Controller

Two-wire



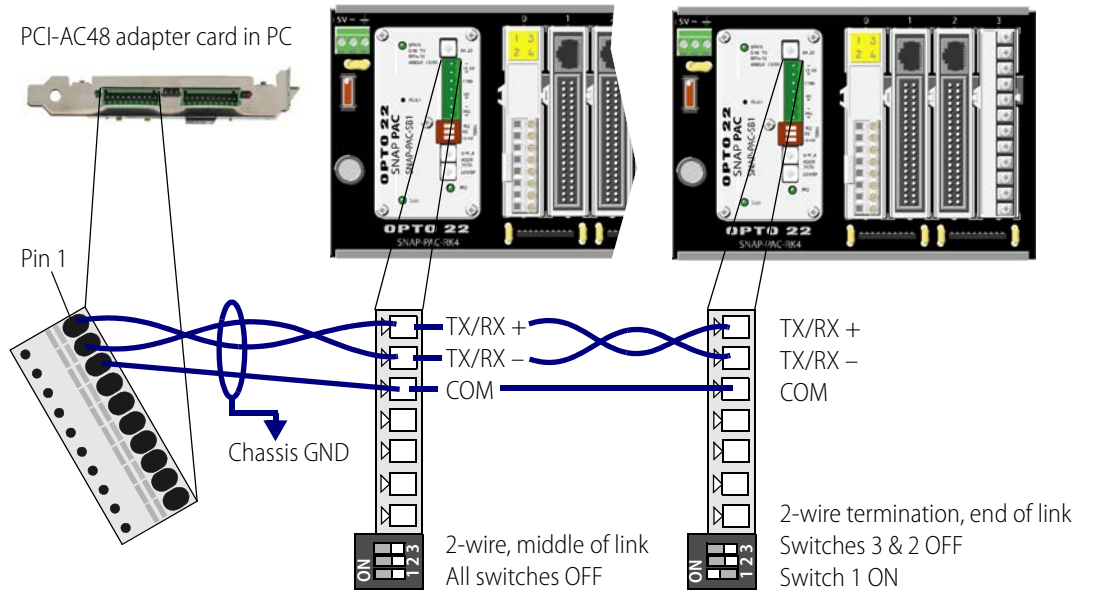
Four-wire



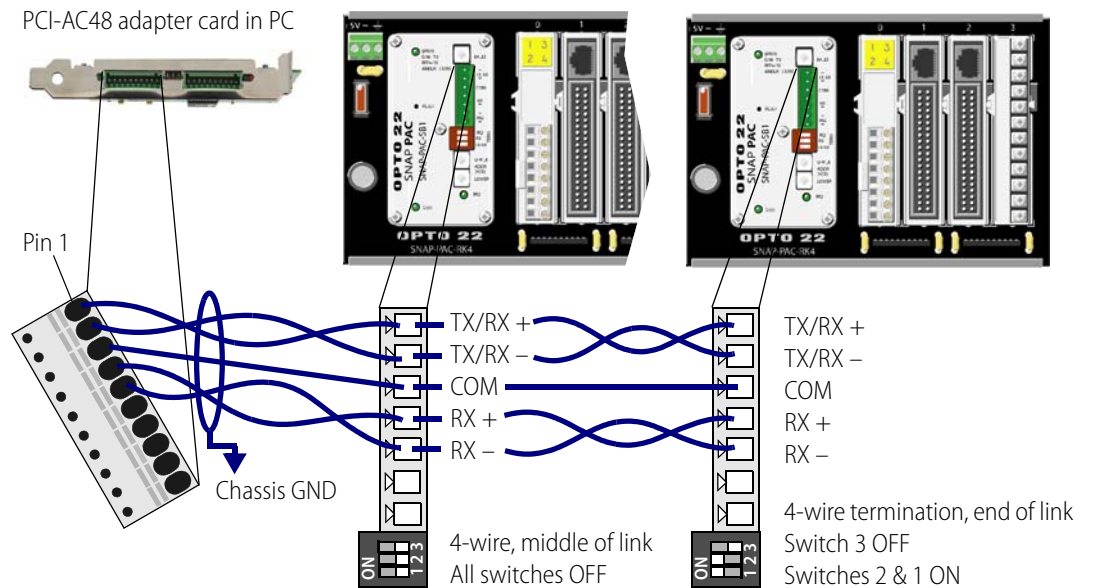
Wiring to a PCI-AC48 Adapter Card in a PC

NOTE: Check the default termination and bias on the PCI-AC48 and make certain they are set appropriately for the network.

Two-wire



Four-wire



What's Next?

To start configuring I/O points, see one of the following:

- If you are using PAC Control software, follow instructions in the *PAC Control User's Guide*, form #1700.
- If you are using the brain in an A-B RSLogix system, follow configuration steps in the *EtherNet/IP for SNAP PAC Protocol Guide*
- If you are not using PAC Control or RSLogix, follow instructions in the *PAC Manager User's Guide*.

To learn more about SNAP PAC brain capabilities and network options, see [Chapter 3: System Architecture](#). If you are planning to install multiple brains in a daisy-chain configuration, see ["Using SNAP PAC Ethernet Brain Wired Network Interfaces" on page 28](#).

To use OLE for process control (OPC) with SNAP PAC brains, purchase the OptoOPCServer and see Opto 22 form #1439, the *OptoOPCServer User's Guide*.

To communicate with SNAP PAC brains using Modbus/TCP, see form #1678, the *Modbus/TCP Protocol Guide*.

To program your own applications to communicate with the SNAP PAC brain, see Opto 22 form #1465, the *OptoMMP Protocol Guide*.

3: System Architecture

This chapter explains how to use SNAP PAC brains on an Ethernet or serial network and how to communicate with them. It includes information on:

Communication options	See below
System architecture	See page 21
Networking	See page 26
Specifications and feature comparison charts	See page 30

Communication Options

SNAP PAC brains communicate over Ethernet or serial.

- SNAP PAC **EB** brains communicate over an Ethernet network (all part numbers containing *EB*). See the following section for more information.
- SNAP PAC **SB** brains communicate over a serial network (part numbers SNAP-PAC-SB1 and SNAP-PAC-SB2). See [page 19](#).

SNAP PAC Ethernet Brains

SNAP PAC Ethernet-based brains communicate using TCP/IP or UDP/IP over a wired or wireless network.

Physical Layer—SNAP PAC EB brains communicate over a 10- or 100-Mbps wired Ethernet link. Wired+Wireless brains can communicate over a 10/100 Mbps wired link, a wireless LAN, or both at the same time (since the wireless LAN interface has a separate IP address).

Transport Layer—The key to the SNAP PAC brain's communication flexibility is the transport layer, Internet Protocol (IP). Both the Transmission Control Protocol (TCP) and the User Datagram Protocol (UDP) are used with IP.

Application Layer—Because SNAP PAC brains use standard IP for the transport layer, many communication options are possible in the application layer. After the I/O unit is installed and has an IP address assigned (see [page 10](#)), you can communicate with it using the following methods:

- **PAC Control** strategies running on a SNAP PAC controller can configure, read, and write to I/O points on SNAP PAC brains.

- **PAC Manager** software, in addition to its use for assigning IP addresses, can also be used to configure I/O points and features, and to perform onetime reads and writes.
- **EtherNet/IP** provides communication with Allen-Bradley ControlLogix[®] and CompactLogix[™] PLC systems and other systems using the EtherNet/IP protocol. Both implicit and explicit messaging are supported.
- **Modbus/TCP** provides a direct connection with Modbus/TCP hardware or software or third-party software applications, which can read or write to I/O points on SNAP PAC brains.
- **OPC** (OLE for Process Control) uses OptoOPCServer to serve data to any OPC 2.0-compliant application, such as an HMI, which can also read or write to I/O points. OptoOPCServer can be purchased separately or as part of the PAC Project Professional software suite.
- **OptoDataLink** exchanges I/O point data with ODBC-compliant databases, including Microsoft SQL Server, Microsoft Access, MySQL, and others. OptoDataLink can be purchased separately or as part of PAC Project Professional.
- **SMTP** (Simple Mail Transfer Protocol) connects a SNAP PAC brain with corporate email servers, so employees can be emailed or paged if there's a problem on devices attached to the brain.
- **SNMP** (Simple Network Management Protocol) makes it possible to monitor devices attached to SNAP PAC brains just as you would any computer or server on the Ethernet network, using an SNMP-based enterprise management system such as Computer Associates' Unicenter[®], Hewlett-Packard's OpenView[®], or IBM's Tivoli[®]. When a monitored event occurs, such as a door left open or a pressure level too high, the brain sends an SNMP trap to the management system (compatible with SNMP v2.0c using brain firmware 8.2a or higher).
- **FTP** (File Transfer Protocol) can be used to transfer files and data to and from the SNAP PAC brain, whether to custom applications, enterprise databases, or any file system.
- **Custom software applications** are easy to develop using our OptoMMP Communication Toolkit with ActiveX components and C++ classes. They use the OptoMMP protocol, an IEEE 1394-based protocol, to read and write to SNAP PAC brains. For developers not using Microsoft Windows, our OptoMMP protocol is open and documented.

Simultaneous Communication

The SNAP PAC Ethernet brain can communicate *simultaneously* using all of the methods listed above. The reason lies in the nature of IP.

In serial communication, a single data request is sent by one device to another. The first device must wait for a response before any additional communication can be carried out. IP, however, can establish multiple simultaneous sessions, so many data requests can be sent at once without waiting for any individual response. Each request gets a response, but the link isn't idle while waiting for responses.

In addition, IP can simultaneously handle multiple requests from multiple devices. A PC can communicate with all SNAP PAC brains and controllers on the same network—all at the same time—and multiple PCs can communicate with one SNAP PAC device at the same time.

So, for example, a SNAP PAC brain can respond to directions from a Modbus master, give analog point data to a technician using PAC Manager, and carry out instructions from a custom C++ application—all at once.

SNAP PAC Serial Brains

SNAP PAC serial brains use an RS-485 link, either 2-wire or 4-wire. Communication can be through any SNAP PAC S-series controller (via an Ethernet connection to the controller and then a serial connection from the controller to the brain)¹ or directly from a PC to the brain (using the computer's serial port via a serial cable and an RS-485 adapter, such as an Opto 22 PCI-AC48 adapter card). More information on wiring begins on [page 11](#).

Communication methods include:

- **PAC Control** strategies running on a SNAP PAC controller can configure, read, and write to I/O points on SNAP PAC brains.
- **PAC Manager** software can be used to configure I/O points and features; in addition it can be used to perform onetime reads and writes.
- **Custom software applications** can be developed using the OptoMMP protocol to read and write to SNAP PAC brains. For Ethernet brains, use our OptoMMP Communication Toolkit. For serial brains, the Toolkit cannot be used, but you can build your own driver for the protocol.

OPC clients and **SQL databases** can exchange data with SNAP PAC serial brains through the SNAP PAC controller. You can use OptoOPCServer for communication with any OPC 2.0-compliant application, such as an HMI. Use OptoDataLink for connectivity with ODBC-compliant databases, including Microsoft SQL Server, Microsoft Access, and MySQL. OptoOPCServer and OptoDataLink can be purchased separately or as part of PAC Project Professional.

Communication routes are summarized in the following table.

For this purpose	Use this software	Communication route		
		Direct (serial)		Through controller (Ethernet)
		From controller	From PC	
Configuration, control, monitoring, and data acquisition	PAC Control	●		
	Custom software		●	
Configuration and one-time reads/writes for testing or troubleshooting	PAC Manager		●	●
OPC communication	OptoOPCServer			●
SQL database connectivity	OptoDataLink			●

Accessing SNAP PAC Brains Over the Internet

Since **SNAP PAC Ethernet brains** are just like any other hardware on the Ethernet network, you can access them over the Internet in exactly the same way you would access a computer. The details depend on your network and Internet connection. Consult your system or network administrator or your Internet Service Provider (ISP) for more information.

SNAP PAC serial brains cannot be directly accessed over the Internet; communication must go through the SNAP PAC controller or through a PC with a PCI-AC48 adapter card.

¹For information about data transfer speed when using a controller to communicate with a serial brain, see [page 50](#).

Choosing Communication Methods

How do you need to communicate with SNAP PAC brains to match the tasks your application requires? Check the following table for help in choosing communication methods and finding out where to look for more information on them.

This task	Can be done using these methods		Comments and references
	Recommended	Alternate	
Configure I/O units.	PAC Control, EtherNet/IP Configurator, or PAC Manager	OptoMMP Communication Toolkit or OptoMMP protocol	If you are using PAC Control, configure the system in PAC Control. See the <i>PAC Control User's Guide</i> . If communicating with an A-B Logix system, use EtherNet/IP Configurator. See <i>EtherNet/IP for SNAP PAC Protocol Guide</i> . For the Communication Toolkit or OptoMMP protocol, see <i>OptoMMP Protocol Guide</i> .
Monitor and control processes; acquire data.	PAC Control flow-chart logic	PAC Manager Inspect window or OptoMMP Communication Toolkit or OptoMMP protocol	See <i>PAC Control User's Guide & Command Reference</i> . CAUTION! Events and reactions set up using alternate methods are faster than flowchart logic, but be careful if you use them. They can conflict with PAC Control logic, because both write to the brain's memory map. For Communication Toolkit or OptoMMP protocol, see <i>OptoMMP Protocol Guide</i> .
Give technicians an HMI with alarming and trending.	PAC Display		See <i>PAC Display User's Guide</i> .
Communicate with Allen-Bradley Logix PLC systems	EtherNet/IP		Wired Ethernet-based brains only. See <i>EtherNet/IP for SNAP PAC Protocol Guide</i> .
Communicate with Modbus/TCP hardware or software.	Modbus/TCP		Ethernet-based brains only. See <i>Modbus/TCP Protocol Guide</i> .
Exchange I/O point data with third-party software such as HMIs and databases.	OptoOPCServer for OPC; OptoDataLink for databases		Purchase OptoOPCServer or OptoDataLink separately or as part of PAC Project Professional. See <i>OptoOPCServer User's Guide</i> and <i>OptoDataLink User's Guide</i> . NOTE: EB brains can communicate directly with OptoOPCServer and OptoDataLink. SB brains must communicate through a PAC Control strategy running on an S-series controller.
Send email or page someone. Send SNMP trap. Monitor devices through an enterprise management system.	PAC Control (and PAC Manager for configuration)	OptoMMP Communication Toolkit or OptoMMP protocol	Ethernet-based brains only. If you are using PAC Control, configure email using PAC Manager. See the <i>PAC Manager User's Guide</i> . For Communication Toolkit or OptoMMP, see <i>OptoMMP Protocol Guide</i> .
Write your own software application to communicate with the system.	C++ or Active X: OptoMMP Communication Toolkit and brain's memory map.	Opto 22's OptoMMP protocol and brain's memory map.	See <i>OptoMMP Protocol Guide</i> .

System Architecture

SNAP PAC brains can be used in the following ways:

- For distributed intelligence in a larger control system based on a SNAP PAC controller running PAC Control or an Allen-Bradley PLC running an RSLogix program
- As an independent I/O processor

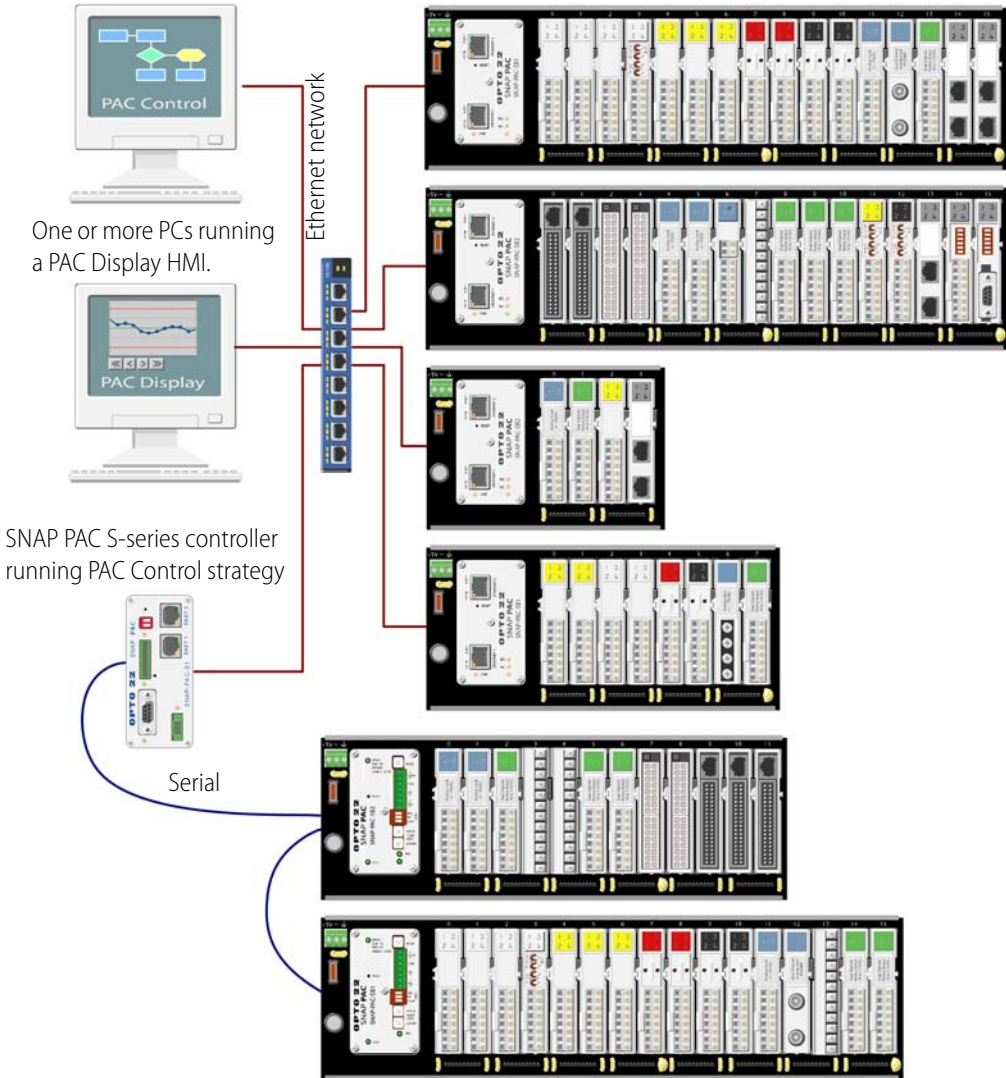
The following diagrams illustrate these uses.

SNAP PAC Brains as Part of a Distributed SNAP PAC System

The following diagram shows only basic SNAP PAC System capabilities using free PAC Project Basic software. For information on additional capabilities, such as communication with OPC clients, databases, and third-party systems, see form #1696, the *SNAP PAC System Specification Guide*.

PC used to develop a PAC Control strategy.
Once developed, the strategy runs independently on the SNAP PAC controller.

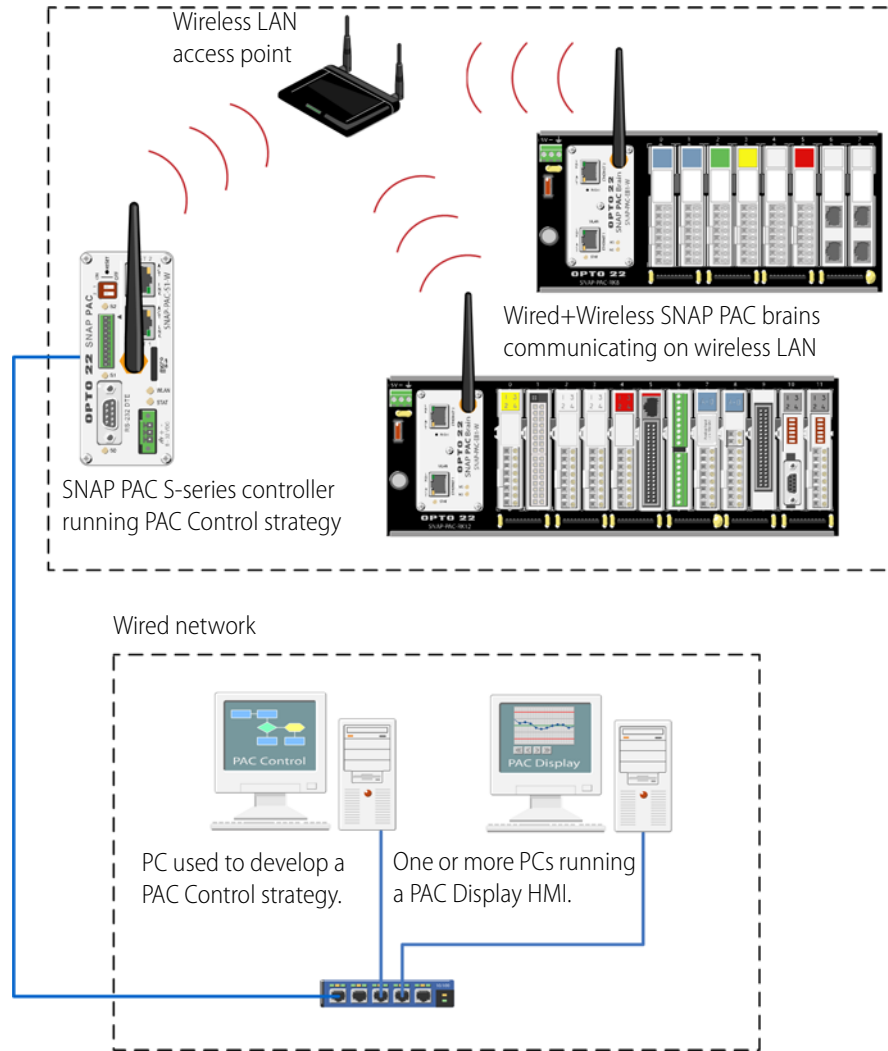
SNAP PAC brains and I/O (distributed units). The top four are on an Ethernet network; the bottom two are on a serial network.



SNAP PAC Wired+Wireless Brains

In this diagram, the SNAP PAC controller communicates wirelessly with the SNAP PAC brains, while at the same time communicating on a wired network with PCs used for development and for an operator interface. As in the diagram on the previous page, only basic SNAP PAC System capabilities using free PAC Project Basic software are shown.

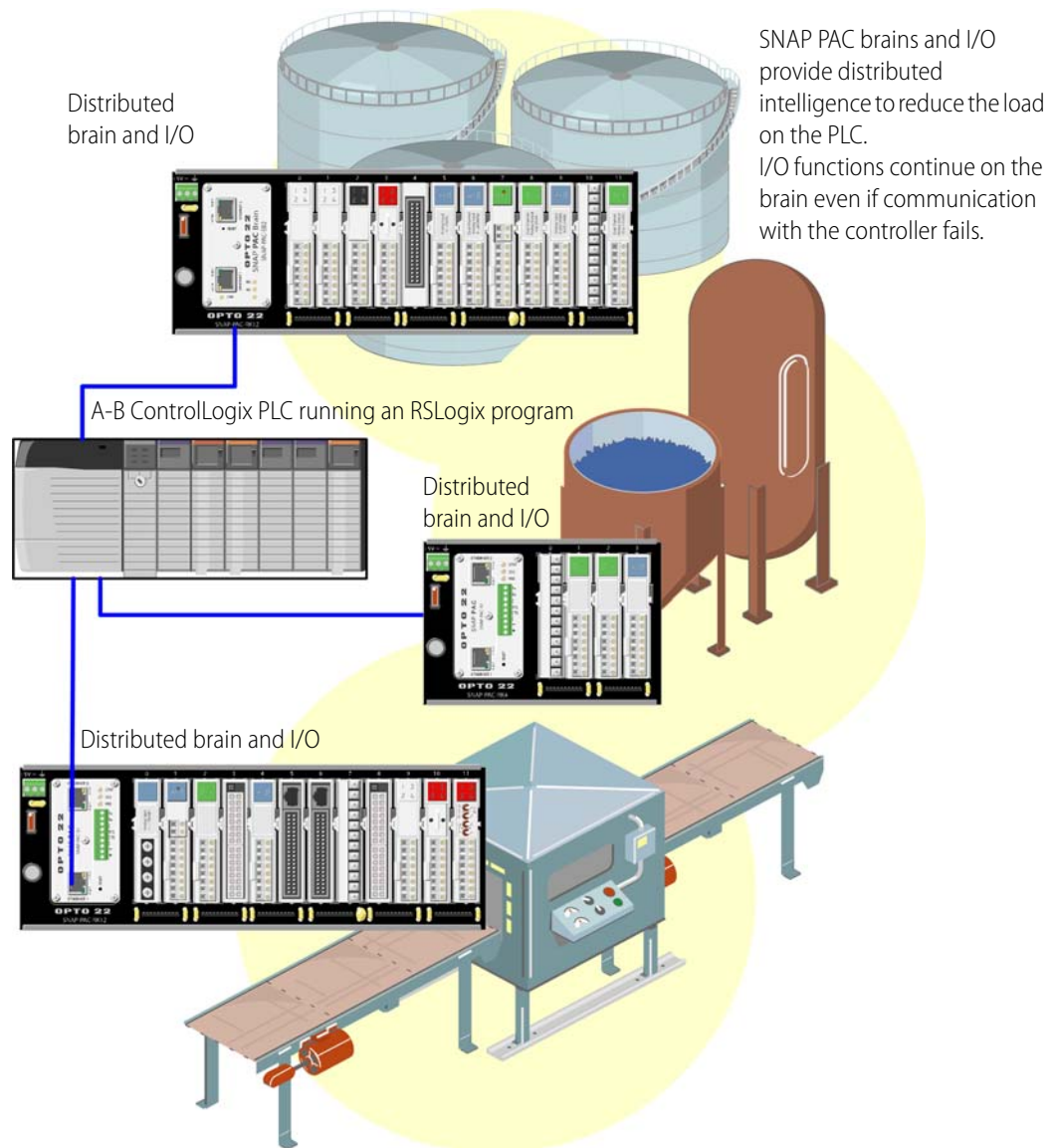
If you need to switch from a wireless to a wired network for any reason, simply plug an Ethernet cable into the brain's Ethernet interface and use its IP address for the I/O unit in the PAC Control strategy. I/O, field wiring, and programming all remain the same.



SNAP PAC Ethernet Brain in an Allen-Bradley Logix System

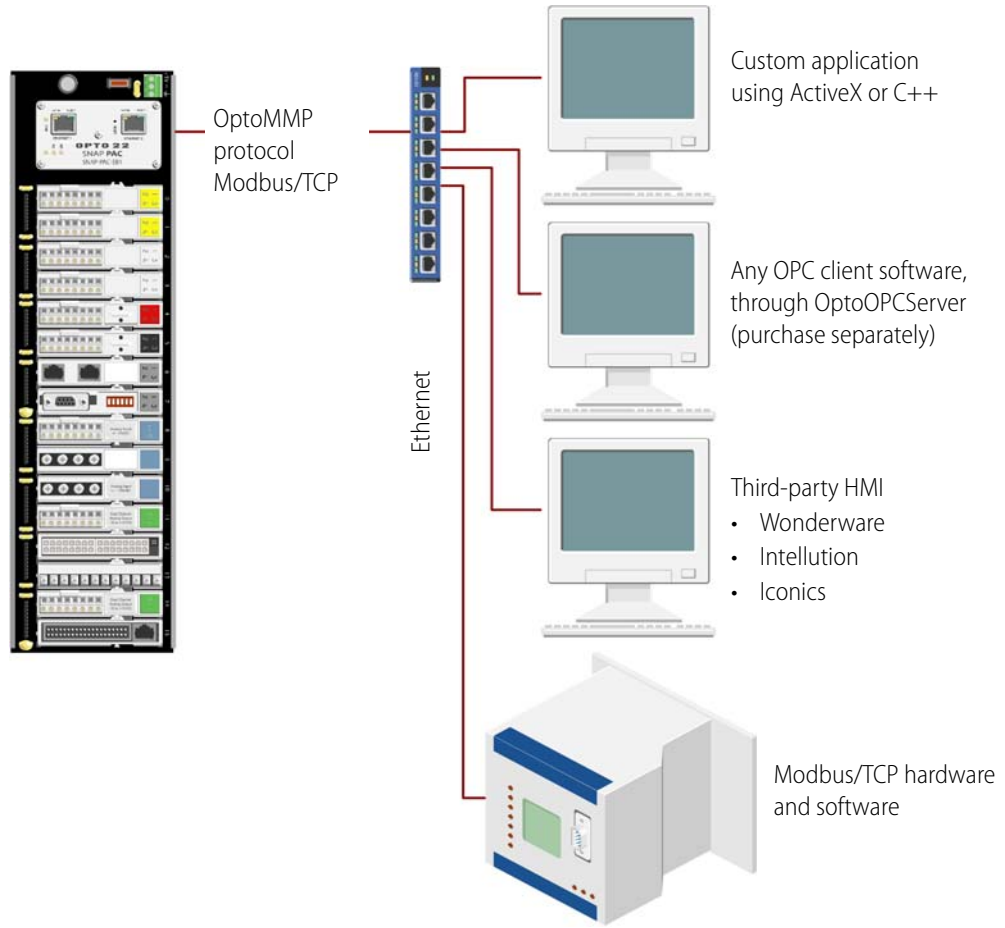
SNAP PAC Ethernet brains can be used as intelligent remote I/O in an A-B Logix system, such as ControlLogix (shown below) or CompactLogix. The brain is more than a bus coupler but does not require programming. Instead, multiple I/O functions are built in.

Because the brain automatically handles many processing tasks locally, you can add more I/O points and process control functions to your system with little impact on PLC scan time. The system as a whole becomes more efficient with intelligence distributed to the remote I/O.



SNAP PAC Ethernet Brain as an Independent I/O Processor

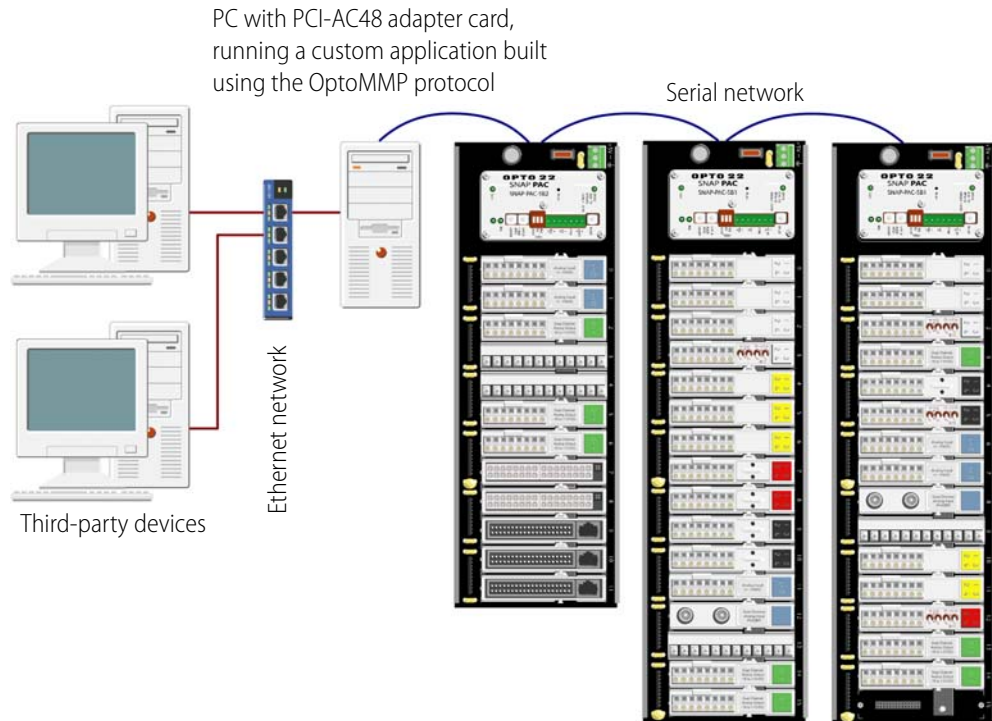
As the following diagram illustrates, you can communicate with an independent SNAP PAC Ethernet brain using Modbus/TCP, the OptoOPCServer (available separately), SNMP, SMTP, or applications you develop using the free OptoMMP Communication Toolkit or our OptoMMP protocol.



SNAP PAC Serial Brain as an Independent I/O Processor

As the following diagram shows, you can communicate with an independent SNAP PAC serial brain using a PC with an Opto 22 PCI-AC48 adapter card. Note that you need to write your own driver for the OptoMMP protocol in order to develop custom software. The OptoMMP Communication Toolkit cannot be used with serial brains; it handles Ethernet communication only.

See [“Setting Up Serial Networking” on page 11](#) for more information on wiring to the PC.



Ethernet Networking

From a physical standpoint, SNAP PAC Ethernet brains can be networked in several ways:

- Connected directly to a PC or controller using a standard Ethernet cable
- Attached to an existing TCP/IP Ethernet network
- As part of an independent network built with standard Ethernet hardware
- (Wired+Wireless models only) In a wireless LAN

The networking method you use depends on several things, including whether you need control or data acquisition, the number of PCs and I/O units you are using, the speed and volume of communication, security requirements, and the availability of an Ethernet network.

As an option in any network, you can install multiple brains in a daisy-chain configuration. See [page 28](#) for more information.

Connecting Directly to a PC or Controller

A direct connection using a standard Ethernet cable connects the SNAP PAC brain with one host, either a PC or a controller. (A crossover cable is not required for direct connection to a host.) You can use either Ethernet interface on the brain for the connection. Additional SNAP PAC brains can be daisy-chained from the first brain using the brain's second Ethernet network interface, which acts as a network switch. See ["Using SNAP PAC Ethernet Brain Wired Network Interfaces" on page 28](#) for more information.

If you need only a small control or monitoring network and have no existing Ethernet network, a direct connection is ideal. It's quick, easy, and inexpensive because it requires only cables (no separate Ethernet switches or routers). It also provides high speed and high security for a small system.

A direct connection is also useful for assigning an IP address, configuring I/O points, and testing applications. The direct connection eliminates other variables that could interfere with communication, so you can focus on maintenance and troubleshooting.

Attaching to an Existing Ethernet Network

The first rule in attaching SNAP PAC Ethernet brains to an existing network is to work closely with your system administrator, who must determine network topology and hardware. Be sure to consider the impact on your existing network of adding the brains. For best performance, use a 100 Mbps network.

In addition, make sure the system administrator understands that each brain must have a **fixed (static)** IP address, whether or not a Dynamic Host Configuration Protocol (DHCP) server is used on the network. For more information on IP addresses, see the *PAC Manager User's Guide* or the *EtherNet/IP for SNAP PAC Protocol Guide*.

Because the SNAP PAC brain has two switched Ethernet interfaces, the brains can optionally be daisy-chained together. (See ["Using SNAP PAC Ethernet Brain Wired Network Interfaces" on page 28](#).)

If you need to isolate the control system data from the main network backbone, you can use a router, network switch, or other gateway device. You can also use a SNAP PAC controller, which has two independent Ethernet network interfaces: one interface can be connected to the enterprise

network, and the other used for the control system. See Opto 22 form #1696, the *SNAP PAC System Data Book*, for more information on network options.

Developing an Independent Ethernet Network

The third way SNAP PAC Ethernet brains can be used is by developing an independent network. An independent network gives a high level of communication speed and volume, as well as high security. You may also need a separate network for critical control applications. Again, the choice depends on your requirements for data transactions, data security, and whether a near-deterministic system is necessary.

If you are building your own network, remember that each brain must have a **fixed** IP address. See the *PAC Manager User's Guide* for more information on IP addresses.

If you have no existing Ethernet network, you can use off-the-shelf Ethernet components to build one. Since Ethernet and TCP/IP are worldwide standards, there are a number of commercially available resources for learning about building and maintaining such a network. We strongly suggest you learn as much as possible about the subject and plan your network carefully before beginning, in order to get the best performance from your system.

Because SNAP PAC brains have two switched Ethernet network interfaces, you can install them in a daisy-chain configuration. See the next section for more information.

Using the Brain in a Wireless LAN

A Wired+Wireless brain (SNAP-PAC-EB1-W or SNAP-PAC-EB2-W) can also be used in a wireless local area network (LAN) built with components that meet 802.11a, b, or g standards, depending on which works best for your environment. Both ad-hoc and infrastructure modes are supported. The best security, however, is available only in infrastructure mode.

Remember that you must use PAC Manager on a wired network to configure wireless communication parameters, before you can use the brain wirelessly.

The brain can communicate both wirelessly and on a wired network at the same time, if needed. Because the wireless LAN interface is on a separate network interface card, it has a separate IP address and must be on a separate IP subnet from the wired interfaces. For the same reason, **it is not possible to daisy chain EB brains using the wireless LAN interface**: there is no connection between the wireless and wired interfaces on the brain.

Using SNAP PAC Ethernet Brain Wired Network Interfaces

As illustrated conceptually at right, SNAP PAC Ethernet brains have two wired network interfaces. Ethernet 1 and Ethernet 2 are not redundant interfaces; they are connected by an unmanaged switch.

Ethernet devices are normally networked in a standard star configuration. If you are using this standard configuration, connect either Ethernet 1 or Ethernet 2 to the network. The two interfaces share the same IP address, and either one will send a BootP request.

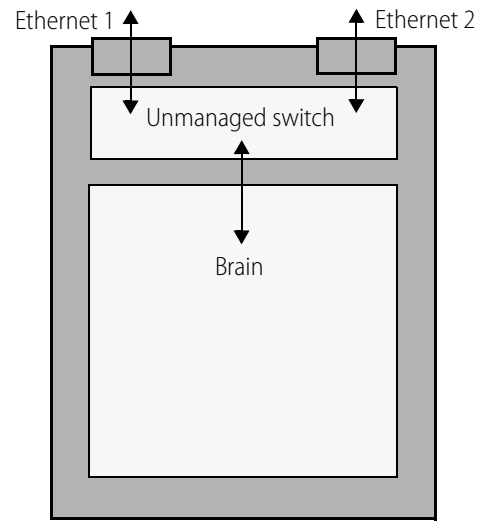
As an option, however, the SNAP PAC brain's two switched Ethernet interfaces let you use a daisy-chain configuration for distributed I/O, connecting just one brain to the network and then connecting subsequent brains in a chain.

NOTE: On a Wired+Wireless brain, daisy chaining can be done only through the wired interfaces, not through the wireless one.

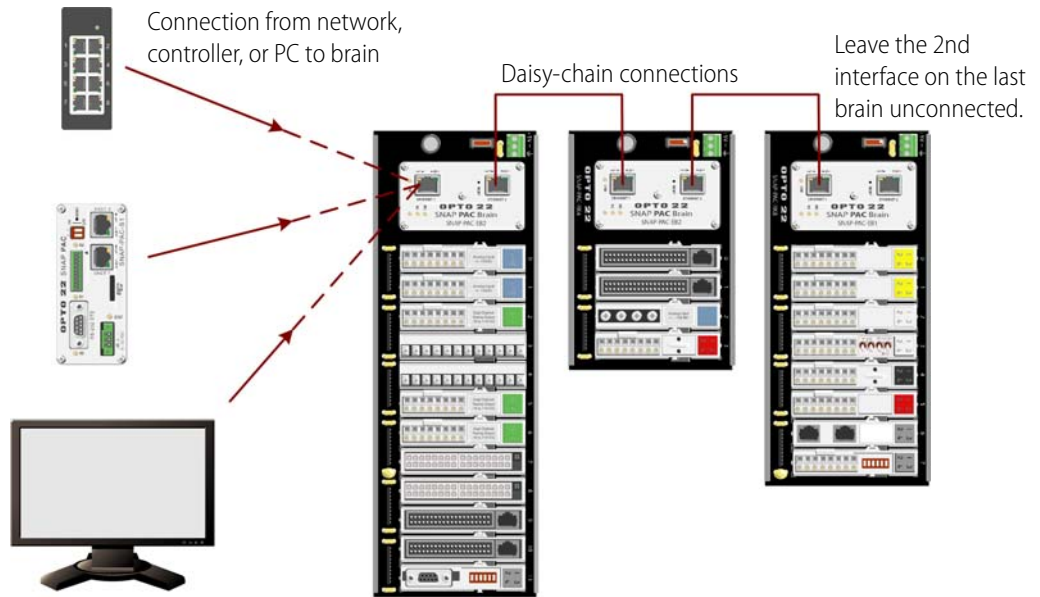
The primary advantage of daisy-chaining is that you save the expense of network routers or switches. The primary disadvantage is similar to that of a serial network: if communication with one brain is lost, communication to all brains beyond it on the daisy chain will also be lost.

Note that if you are updating firmware on the brain, you must update each brain in the daisy chain separately.

IMPORTANT: If you choose a daisy-chain configuration, make certain that the brains are connected correctly. Incorrect connections can produce major problems on the network. Make sure that daisy-chain connections are made in a simple open-ended chain, as shown in the diagram on the following page.



Correct Connections for Daisy-Chaining

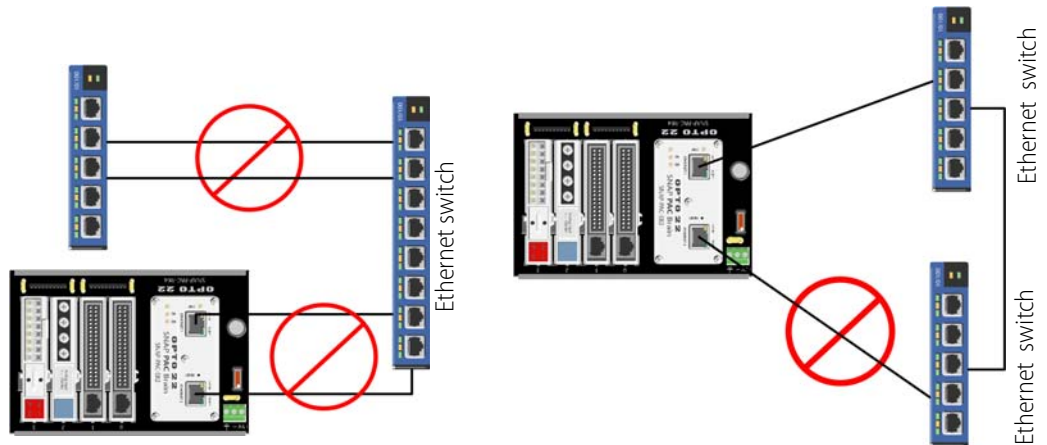


NOTE: Connection from a PC does not require a crossover cable.

Never connect SNAP PAC Ethernet brains in a loop or ring. For example, do not connect both ends of the chain to the same switch, nor to different switches on the same network. As a rule, do not connect the second Ethernet interface on the last brain in the chain to any other device.

NOTE: There is one exception to this rule: you can connect the network in a loop if at least one switch in the loop supports STP/RSTP (Spanning Tree Protocol/Rapid Spanning Tree Protocol) and has that feature enabled.

Incorrect Network Connections



Specifications

Specifications

Ethernet and Serial Brains	
Power Requirements	5.0–5.2 VDC at 750 mA maximum (does not include module power requirements) -W Models: 5.0–5.2 VDC at 1.0 A maximum (not including module requirements)
Memory	16 MB RAM
Backup battery for real-time clock	Rechargeable (recharges whenever the brain has power). 5-year life when power is off (replacement part number: SNAP-PAC-BATTERY-ML2430). (Models manufactured before August 2007 have a 3-volt CR2032 lithium battery, available in retail stores. See original user guide for replacement steps.)
Hold-down screw	Torque: 8 in-lb (0.9 N-m)
Operating Temperature	-20 to 60 °C
Storage Temperature	-40 to 85 °C
Humidity	0–95% humidity, non-condensing
Agency approvals and certifications	All models: CE, RoHS, DFARS Ethernet brains (EB): UL approved (-W models only) U.S., FCC Part 15 Subpart C; Canada, IC RSS-210 (-FM models only) Factory Mutual approved
Warranty	30 months from date of manufacture
Ethernet Brains (EB) only	
Wired Ethernet Network Interfaces	IEEE 802.3 network, 10Base-T and 100Base-TX. Automatic MDC/MDI-X crossover (Ethernet crossover cable not required for direct connection to PC). Two switched interfaces, allowing multi-drop (daisy-chain) or standard star network configuration.
Maximum Ethernet Segment Length	100 meters with Category 5 or superior UTP For 100 Mbps at this distance, use Category 5 or superior solid UTP.
Wireless LAN interface* Topologies Security Frequency 802.11a Frequency 802.11b/g Transmit Power Antenna Connector Roaming	Separate IP address Infrastructure, Ad-Hoc 802.11i: AES - Compatible with WPA2 Personal, TKIP - Compatible with WPA Personal, WEP. Note: TKIP/AES security is not supported in Ad-Hoc mode. 5.180–5.24 GHz, 5.745–5.825 GHz 2.412–2.472 GHz, 2.484GHz 15 dBm maximum Reverse polarity SMA (RP-SMA or RSMA) Supported within an SSID (Service Set Identifier) only
Serial Brains (SB) only	
Network interfaces	RS-485, 2- or 4-wire, twisted pair(s), with shield
Serial data rates	300 baud to 230.4 Kbaud
Range: Serial multidrop	32 stations maximum on a segment (including PC, controller, repeaters, and I/O units); up to 3000 ft (914 m) on a segment
Connector screw	Torque: 1.7 in-lb (0.19 N-m)

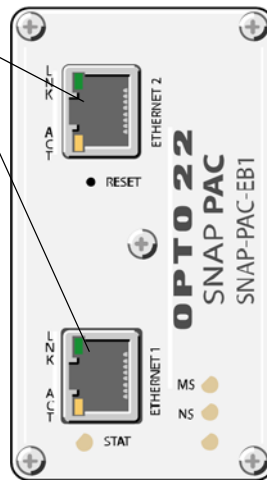
* Requires Wired+Wireless model (SNAP-PAC-EB1-W or SNAP-PAC-EB2-W)

LEDs and Network Interfaces—Wired Ethernet Brains

Switched Ethernet network interfaces

Brains can be networked in a daisy-chain configuration or in a standard star configuration using either Ethernet interface. Both interfaces use the same IP address.

NOTE: When using a daisy-chain configuration, be aware that if power to a brain is lost, all brains beyond it on the network will also lose communication. Firmware on daisy-chained brains must be updated one at a time.



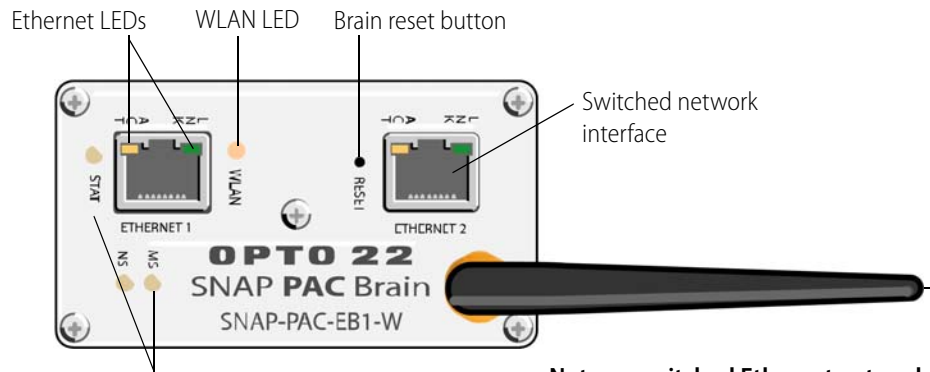
LEDs

LED	Indicates
LNK	Link established with Ethernet network
ACT	Activity on Ethernet network
STAT	Brain status
MS	EtherNet/IP Module Status
NS	EtherNet/IP Network Status
Unnamed	Reserved for future use

See “Correct Connections for Daisy-Chaining” on page 29 and “Blink Codes” on page 41.

LEDs and Network Interfaces—Wired+Wireless Brains

This diagram applies to part numbers SNAP-PAC-EB1-W and SNAP-PAC-EB2-W.



Status and activity LEDs

LEDs

LED	Indicates
LNK	Link established with Ethernet network
ACT	Activity on Ethernet network
STAT	Brain status
MS	EtherNet/IP Module status
NS	EtherNet/IP Network status
WLAN	Wireless LAN status

See “Blink Codes” on page 41.

Note on switched Ethernet network interfaces

For a wired network, brains can be set up in a daisy-chain configuration or a standard star configuration using either the Ethernet1 or Ethernet2 network interface. Both interfaces use the same IP address.

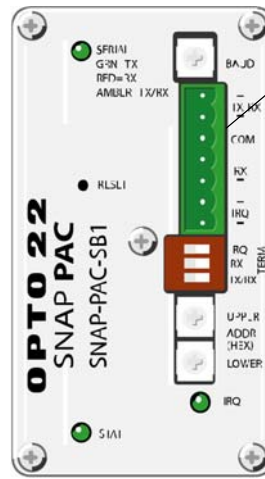
When using a daisy-chain configuration, be aware that if power to a brain is lost, all brains beyond it on the network will also lose communication. Firmware on daisy-chained brains must be updated one brain at a time.

The WLAN interface does not provide access to other brains in a daisy-chain configuration, as this interface has a separate IP address.

LEDs and Network Interfaces—Serial Brains

LEDs

LED	Indicates
SERIAL	Green = Transmit Red = Receive Amber = Transmit/Receive
STAT	Brain status
IRQ	Reserved for future use



Serial port

On a serial brain, the port is RS-485, either 2-wire or 4-wire. Baud rate, termination, and address are set using the switches on the brain's top cover. See termination and biasing instructions on [page 11](#).

NOTE: IRQ connections and LED are reserved for future use.

See [Appendix A](#) for serial cable recommendations. See “[Setting Up Serial Networking](#)” on [page 11](#) for wiring. For details on LEDs, see “[Blink Codes](#)” on [page 41](#).

SNAP PAC Brain Comparison Chart

For feature descriptions: [page 35](#). This table compares SNAP PAC brains with firmware 8.5 or newer.

FEATURE		SNAP-PAC-EB1	SNAP-PAC-EB1-FM	SNAP-PAC-EB1-W	SNAP-PAC-EB2	SNAP-PAC-EB2-FM	SNAP-PAC-EB2-W	SNAP-PAC-SB1	SNAP-PAC-SB2
Factory Mutual approval (U.S. and Canada)			●			●			
Ethernet networking		●	●	●	●	●	●		
Two switched Ethernet wired network interfaces (one IP address)		●	●	●	●	●	●		
Wired Ethernet network security (IP filtering, port access)		●	●	●	●	●	●		
Wireless LAN interface (802.11a, b, or g)				●			●		
Security for wireless network (WPA2-AES, WPA-TKIP, WEP)				●			●		
Serial networking (RS-485, 2-wire or 4-wire)								●	●
Digital I/O point features	On/off status	●	●	●	●	●	●	●	●
	Input latching	●	●	●	●	●	●	●	●
	Watchdog timer	●	●	●	●	●	●	●	●
	High-speed counting (up to 20 kHz) ²	●	●	●				●	
	Quadrature counting ³	●	●	●				●	
	On-pulse and off-pulse measurement ^{2,4}	●	●	●				●	
	Frequency and Period measurement ⁴	●	●	●				●	
	TPO (time-proportional output) ⁴	●	●	●	●	●	●	●	●
	Digital totalizing ⁴	●	●	●	●	●	●	●	●
Pulse generation (N pulses, continuous square wave, on-pulse, and off-pulse) ⁴	●	●	●	●	●	●	●	●	
Analog I/O point features	Thermocouple linearization (32-bit floating point for linearized values)	●	●	●	●	●	●	●	●
	Minimum/maximum values	●	●	●	●	●	●	●	●
	Offset and gain	●	●	●	●	●	●	●	●
	Scaling	●	●	●	●	●	●	●	●
	Time-proportional output ⁵	●	●	●	●	●	●	●	●
	Output clamping	●	●	●	●	●	●	●	●
	Filter weight	●	●	●	●	●	●	●	●
	Watchdog timer	●	●	●	●	●	●	●	●
	Analog totalizing ⁴	●	●	●	●	●	●	●	●
	Ramping ⁴	●	●	●	●	●	●	●	●

FEATURE		SNAP-PAC-EB1	SNAP-PAC-EB1-FM	SNAP-PAC-EB1-W	SNAP-PAC-EB2	SNAP-PAC-EB2-FM	SNAP-PAC-EB2-W	SNAP-PAC-SB1	SNAP-PAC-SB2
I/O modules supported	Digital (4–32 channels per module)	●	●	●	●	●	●	●	●
	Analog (2–32 channels per module)	●	●	●	●	●	●	●	●
	Serial (RS-232, RS-485, motion control, Profibus®, Wiegand®)	●	●	●	●	●	●		
Maximum number of modules allowed per I/O unit (with largest rack): Any mix of 16 digital, 16 analog, 8 serial or special-purpose		●	●	●	●	●	●	● ¹	● ¹
PID logic on the brain (96 PID loops per brain)		●	●	●	●	●	●	●	●
Scratch Pad area for peer-to-peer data (bits, floats, integers, strings)		●	●	●	●	●	●	●	●
Realtime clock (RTC)		●	●	●	●	●	●	●	●
OPC driver support		●	●	●	●	●	●	● ⁸	● ⁸
OptoMMP memory-mapped protocol		●	●	●	●	●	●	●	●
EtherNet/IP™ (Allen-Bradley® Logix systems and others)		●	●	●	●	●	●		
Modbus®/TCP (slave; maximum two Modbus Master connections)		●	●	●	●	●	●		
SNMP (network management) ⁷		●	●	●	●	●	●		
FTP server, file system		●	●	●	●	●	●		
Email (SMTP client)		●	●	●	●	●	●		
UDP Streaming		●	●	●	●	●	●		
Digital events, Alarm events, Serial events		●	●	●	●	●	●	● ⁹	● ⁹
Event messaging		●	●	●	●	●	●		
Data logging in the brain		●	●	●	●	●	●		

¹ Does not support serial, motion control, Profibus, or Wiegand modules.

² Four-channel digital modules only; not available on high-density digital modules.

³ Requires a SNAP quadrature input module (SNAP-IDC5Q).

⁴ Available when used with PAC Control Pro 8.2+ or PAC Control Basic 9.0+ and a SNAP PAC controller; or when used as remote intelligent I/O with an Allen-Bradley PLC system.

⁵ Requires a SNAP analog TPO module (SNAP-AOD-29).

⁶ Digital I/O modules can be placed only in the first 8 slots on the rack.

⁷ Currently available on all types of modules except analog modules with more than 4 points.

⁸ Available when used with OptoOPCServer and PAC Control, through a SNAP PAC S-series controller.

⁹ Does not support serial events.

Feature Descriptions

See the feature table on [page 33](#). For additional information, including configuration, see the *PAC Manager User's Guide*.

Feature	Description
States	(Digital input and output)—A digital point is either on or off. You can read the current state of a digital input or write an on/off state to a digital output.
Latches	(Digital input)—When the value of a digital input point changes from off to on, an on-latch is automatically set. While the value of the point may return to off, the on-latch remains set, as a record of the change, until you clear it. Similarly, an off-latch is set when the value of a digital point changes from on to off, and it remains set until cleared.
Counters	(Digital input)—A counter keeps track of the number of times a digital input changes from off to on. The count accumulates until it reaches the maximum count available in the brain or until you reset the counter to zero. For example, to count the number of widgets produced per shift, you would clear the counter at the start of each shift and read it at the end of each shift. SNAP-PAC-EB1 and SNAP-PAC-SB1 brains offer high-speed counting (up to 20 KHz) on 4-channel modules; the speed of the counter depends upon the speed of the module used. EB2 and SB2 brains do not offer high-speed counting. All brains can be used with high-density modules (modules with more than four points). These modules offer counting (up to about 50 Hz) within the module.
Quadrature counters	(Digital input)—A quadrature counter requires a SNAP-PAC-EB1 or SNAP-PAC-SB1 and a SNAP quadrature input module (SNAP-IDC5Q), which can be wired to two encoders. The module sends a pulse to the brain upon each change in quadrature state, and the brain counts the pulses and keeps track of the direction and rotation.
On-pulse and off-pulse measurement	(Digital input; requires SNAP-PAC-EB1 or SNAP-PAC-SB1 brain with firmware 8.2 or higher, PAC Project Pro 8.2 or higher, and a SNAP PAC controller)—A pulse is a brief on (or off) state, usually repeated at a specific interval. The brain can measure the first pulse, that is, the amount of time the input stays on (or stays off).
Frequency and Period measurement	(Digital input; requires SNAP-PAC-EB1 or SNAP-PAC-SB1 brain with firmware 8.2 or higher, PAC Project Pro 8.2 or higher, and a SNAP PAC controller)—Frequency is the speed with which a digital point changes state and is usually measured in counts per second. For example, reading the frequency can help you determine the speed of rotating machinery. Period refers to the elapsed time for a complete on-off-on transition on a digital point. Measurement starts on the first transition (either off-to-on or on-to-off) and stops on the next transition of the same type.
Digital totalizing	(Digital input; requires firmware 8.2 or higher, PAC Project Pro 8.2 or higher, and a SNAP PAC controller)—For a digital input, a totalizer accumulates the total amount of time that a digital input is on (or off). The on-time totalizer shows how long the point has been on; the off-time totalizer shows how long the point has been off. Totalizers are often used to determine maintenance or use schedules.
Pulse and square wave generation	(Digital output; requires firmware 8.2 or higher, PAC Project Pro 8.2 or higher, and a SNAP PAC controller)—A pulse turns a digital output on (or off) briefly, either once or for a specified number of times at a specified interval. A digital square wave is a specific pattern of on and off states, repeated continuously.
Time-proportional output (TPO)	Time-proportional output varies the duty cycle and the percentage of on time within that cycle. TPO is often combined with a PID loop and used to control the output, for example in a heater or oven. (Digital output)—Requires firmware 8.2 or higher, PAC Project Pro 8.2 or higher, and a SNAP PAC controller. (Analog output)—Requires a SNAP-AOD-29 module.

Feature	Description
Watchdog	(Digital and analog input and output)—A watchdog monitors communication with the PC or other host device. If the host does not write data to the I/O unit for the length of time set in the watchdog, the I/O unit automatically sets designated digital and analog output points to the values you have determined. If communication fails between the host and the brain controlling a process, a watchdog makes sure the process is automatically brought to a safe state. For example, a valve could automatically close to avoid completely emptying a tank.
Scaling	(Analog input and output)—Analog input and output points can be scaled as needed. For example, you can scale a -5 V to +5 V input point to reflect 0% to 100%
Minimum and maximum values	(Analog input)—Minimum and maximum values are sometimes called peaks and valleys. You can read these values at any time, for example, to record minimum and maximum temperatures. You can also reset min/max values. For example, if you want to record the maximum temperature at point 2 in each 24-hour period, you must reset the values after they are read each day.
Thermocouple linearization	(Analog input)—The brain automatically converts the thermocouple junction's millivolt values into temperature values, so you don't have to. Choose the appropriate module and make sure you configure the point as the correct thermocouple type (E, K, etc.) for your purpose.
Offset and gain	(Analog input)—Offset and gain calculations are used to calibrate analog points. If a -50 mV to +50 mV input receives signals that are slightly off (not exactly -50 mV at the lowest point, for example), the offset and gain can be calculated so that values will appear accurately when read.
Clamping	(Analog output)—Clamping limits values that can be sent to analog output points so they do not go above or below a specific value. For example, if you are using a 0–10 VDC output module, but the device attached to one of its points can only handle a maximum of 5 VDC, you can set an upper clamp of 5 VDC for that point. The values for upper and lower clamp are set in engineering units.
Analog totalizing	(Analog input; requires firmware 8.2 or higher, PAC Project 8.2 or higher, and a SNAP PAC controller) For an analog input, a totalizer accumulates readings by sampling the input point at set intervals and storing the total value, for example to determine total flow based on a varying flow rate signal.
Ramping	(Analog output; requires firmware 8.2 or higher, PAC Project 8.2 or higher, and a SNAP PAC controller)—Some devices attached to analog outputs should not be abruptly stepped up or down, because a sudden change might damage the equipment or cause other problems. Instead, you can gradually ramp the device up or down to the desired value.
PID loop control	(Analog points)—Proportional integral derivative (PID) loops are used to drive an input toward a particular value (the setpoint) and keep the input very close to that value by controlling an output. PID loops are often used in temperature control.
Average filter weight	(Analog inputs)—A filter weight smooths analog input signals that are erratic or change suddenly. See the <i>PAC Manager User's Guide</i> for more details.

Feature	Description
Events, Event Messages, Email, Data Logging	<p>You can configure a SNAP PAC brain to recognize one or a combination of the following as an event:</p> <ul style="list-style-type: none"> • The state of a point on a 4-channel digital module (on or off) • A specific high or low value of an analog point, in Engineering Units • A number on a digital counter or a high or low number on a quadrature counter • An analog point value or a quadrature counter that is outside an allowable range • The state of a bit in the Scratch Pad (on or off) • A specific string received by a serial module (SNAP PAC Ethernet brains only) <p>The brain can react automatically to an event in any or all of the following ways:</p> <ul style="list-style-type: none"> • Turning points on 4-channel digital modules on or off (same or different brain, immediately or delayed) • Copying data from one memory map location to another (same or different brain) • Logging data • Turning a bit in the Scratch Pad on or off • Sending a stream packet, an email message, or an SMNP trap (SNAP PAC Ethernet brains only) • Sending a string through a serial module to a serial device (SNAP PAC Ethernet brains only)
Security	(SNAP PAC Ethernet brains only) You can limit access to Ethernet brains either by allowing access only from specific computers or other devices on the network (IP filtering), or by limiting access to specific protocols, such as SNMP, that are used with the brain (port access).
Scratch Pad Areas	The Scratch Pad is used primarily for peer-to-peer communication with other SNAP PAC brains and controllers on the network. See the <i>PAC Control User's Guide</i> .
SNMP	(SNAP PAC Ethernet brains only) The Simple Network Management Protocol (SNMP) is used to communicate with an SNMP-based enterprise management system, such as Computer Associates' Unicenter, Hewlett-Packard's OpenView, or IBM's Tivoli. These systems can manage analog, digital, or serial devices through a SNAP PAC Ethernet brain just as they manage computer equipment on the Ethernet network. The brain is compatible with SNMP v2.0c using brain firmware 8.2a or higher.
FTP Server	(SNAP PAC Ethernet brains only) SNAP PAC Ethernet brains have a substantial area available for file storage, and data can be easily moved to and from these files using FTP. For more information on the file system, see the <i>PAC Manager User's Guide</i> .

4: Maintenance and Troubleshooting

Introduction

This chapter includes the following maintenance and troubleshooting information:

Maintenance

Backup Battery	below
Changing the Ethernet Brain's IP Address	page 40
Resetting the Brain	page 40
Loading New Firmware	page 40
Setting Time and Date	page 40
Blink Codes	page 41

Troubleshooting

Getting Device and Firmware Information	page 43
Communicating with a Wired EB Brain	page 46
Communicating with the SB Brain	page 49
Additional Troubleshooting Tools	page 52

Maintaining the SNAP PAC Brain

Backup Battery

The real-time clock in the SNAP PAC brain uses a backup battery. This battery is rechargeable and receives a charging current whenever the brain has power. The battery lasts for up to 10 years when power is off.

SNAP PAC EB brains manufactured before July 1, 2007 use a CR2032 lithium backup battery, which is user replaceable. These batteries are readily available in retail stores.

Changing the Ethernet Brain’s IP Address

If you know the brain’s IP address, see the *PAC Manager User’s Guide* (or *EtherNet/IP for SNAP PAC Protocol Guide*, if you’re using the brain with an Allen-Bradley system) for instructions to change it.

If you do not know the IP address, first check the label on the side of the brain. If you still don’t know the brain’s IP address, follow the steps in the next section to restore the brain to factory default settings, and then assign an IP address as described in the *PAC Manager User’s Guide* or *EtherNet/IP Guide*.

Resetting the Brain

1. Carefully insert a straightened paperclip or stiff wire into the small hole labeled RESET.
2. Depending on the type of reset you need, press and hold down the RESET button as described below. DO NOT hold the button down too long.

NOTE: Do not reset the brain to hardware test mode unless Opto 22 Product Support tells you to.

Reset type	How to use the reset button	What happens	Notes
Simple reset	Press and release immediately	Brain restarts. Files in RAM are erased. Files in flash memory are untouched.	
Restore factory defaults	Press just until STAT LED turns solid green (1-2 sec)	Brain restarts. Files in RAM and flash memory are erased. I/O configuration in flash is erased. IP address is reset to 0.0.0.0 and subnet mask to 255.255.255.0.	You have to reassign the IP address and subnet mask.
Failsafe bootloader mode	Press and wait until LED turns solid green. Release when LED starts to blink (2-5 sec)	Brain restarts. Files in RAM are erased. Files in flash memory are untouched.	Cycle power to recover. Result is the same as a simple reset.
Hardware test mode	Press and hold until LED starts blinking orange rapidly and continuously (> 5 sec)	Brain restarts. Files in RAM and flash memory are erased. I/O configuration in flash is erased. IP address is reset to 0.0.0.0 and subnet mask to 255.255.255.0.	Cycle power to recover. Result is the same as restoring to factory defaults. You have to reassign the IP address and subnet mask.

Loading New Firmware

Each SNAP PAC brain contains firmware (sometimes referred to as the *kernel*), which is similar to an operating system. If the firmware should become damaged, or if a new version of the firmware is released, you can load new firmware to the brain following instructions in the *PAC Manager User’s Guide*.

Setting Time and Date

The SNAP PAC brain’s built-in clock is set at the factory. To change the time and date, see instructions in the *PAC Manager User’s Guide*.

Blink Codes

LEDs on the top of a SNAP PAC brain use blink codes to indicate operation and status. For the location of LEDs, see [“LEDs and Network Interfaces—Wired Ethernet Brains” on page 31](#) or [“LEDs and Network Interfaces—Serial Brains” on page 32](#). Blink codes provide useful information during operation and in troubleshooting.

Self-Test LED Sequence at Startup

When you first turn on the brain, you’ll see the following LED sequence. This is a self test.

Duration (seconds)	MS LED	NS LED
0.25	Green	Off
0.25	Red	Off
0.25	Green	Green
0.25	Green	Red
0.25	Off	Off
0.25	On	Flash On

Normal LED Behavior: MS, NS, and WLAN LEDs

Once the self-test is finished, normal LED behavior is as shown in the following tables.

MS LED—Applies only when using EtherNet/IP

LED	Description
Steady Off	No power
Steady Green	Operational. Device has been configured and can operate normally.
Flashing Green	Standby. Device does not have a valid IP configuration.
Flashing Red	Minor fault. A recoverable fault has occurred.
Steady Red	Major fault. A non-recoverable fault has occurred.

NS LED

LED	Description
Steady Off	The device does not have a valid IP address or has no power.
Flashing Green	EtherNet/IP only: No connections
Steady Green	EtherNet/IP only: Connected
Flashing Red	EtherNet/IP only: Connection Timeout

WLAN LED—Applies to Wired+Wireless models only

LED	Description
Solid Red	Disconnected
Solid Orange	WLAN interface is scanning, associating, and authenticating the network.
Solid Green	Association and authentication are completed (WLAN is up).
Blinking Green	Ethernet activity on the wireless interface

STAT LED—Green

If the STAT LED is on and remains green, the brain is operating normally. On an EB brain, a solid green LED indicates that the brain has an IP address.

If the STAT LED blinks green when the brain starts up, it indicates the following:

Number of Blinks	Speed of Blinks	Means
2	fast	Normal; the brain’s firmware is starting up.
5	fast	Default settings have been successfully restored.
7	fast	Entering failsafe bootloader mode. (See “Resetting the Brain” on page 40 for more information.)

STAT LED—Orange

On an EB brain, if the STAT LED blinks orange about four times a second, the device is attempting to obtain an IP address by sending BootP requests.

On an SB brain, you can enable special orange blink codes to troubleshoot communication. See [page 50](#) for more information.

On both EB and SB brains, if the STAT LED blinks orange fast and continuously after you pushed the RESET button, the device is in hardware test mode (see [page 40](#)).

STAT LED—Red and Green

If the STAT LED blinks red and green alternately, it indicates that the brain is in failsafe bootloader mode. See [“Resetting the Brain” on page 40](#) for more information.

STAT LED—Red

If the STAT LED blinks red, it indicates the following:

Number of Blinks	Speed of Blinks	Means	Problem and Workaround
4	slow	(SB brain) Incorrect serial settings (Both brains) Invalid MAC address or hardware revision	(SB brain) Check serial settings (See page 11.) Contact Product Support.
5	slow	Fatal error	Firmware or hardware problem. Check the power supply and connections before restarting. Call Product Support if the error is repeated.

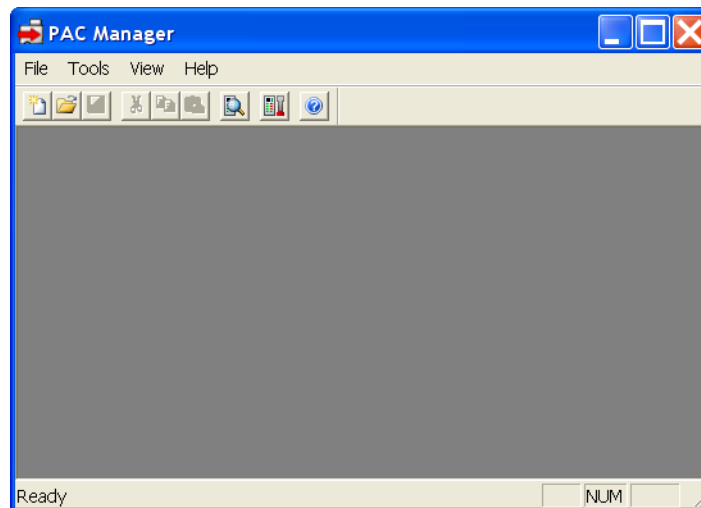
Number of Blinks	Speed of Blinks	Means	Problem and Workaround
6	slow	RAM error	Contact Product Support.
7	slow	Ethernet switch failure	(EB brain only) Contact Product Support.
11	slow	Ethernet loopback test failure	(EB brain only) Contact Product Support.
13	slow	Real-time clock failure	Contact Product Support.
16	slow	Serial flash failure	Contact Product Support.
20	slow	Digital failure	Contact Product Support.
21	slow	Bus failure	Contact Product Support.

Getting Device and Firmware Information

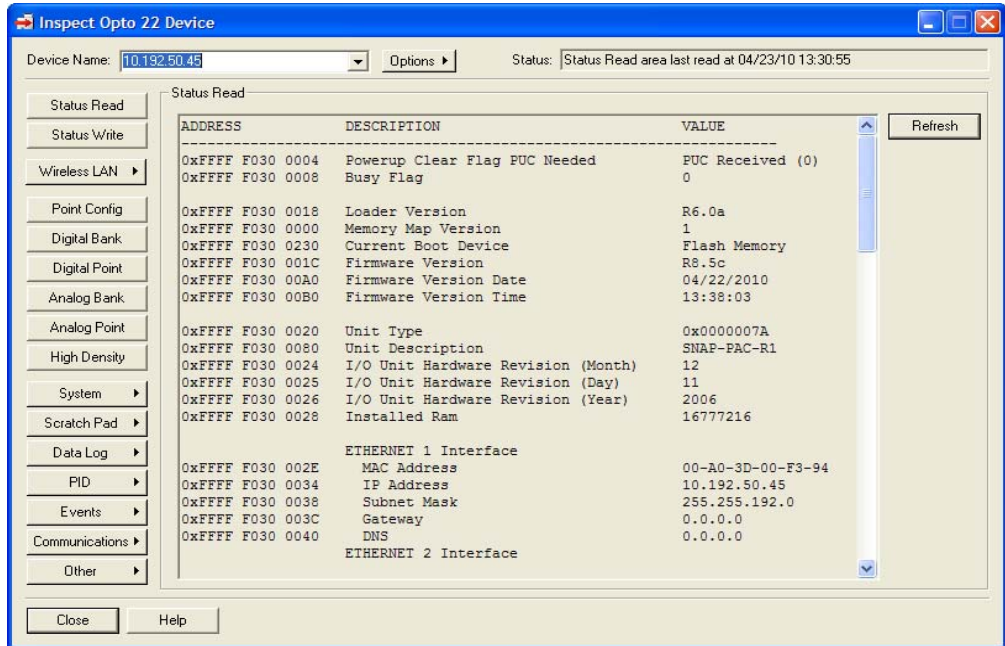
If you need to contact Opto 22 Product Support for assistance, it is helpful to have device and firmware information at hand before you call us. Here's how to get that information for SNAP PAC brains:

1. If PAC Manager is not already open, choose Start > Programs > Opto 22 > PAC Project > PAC Manager.

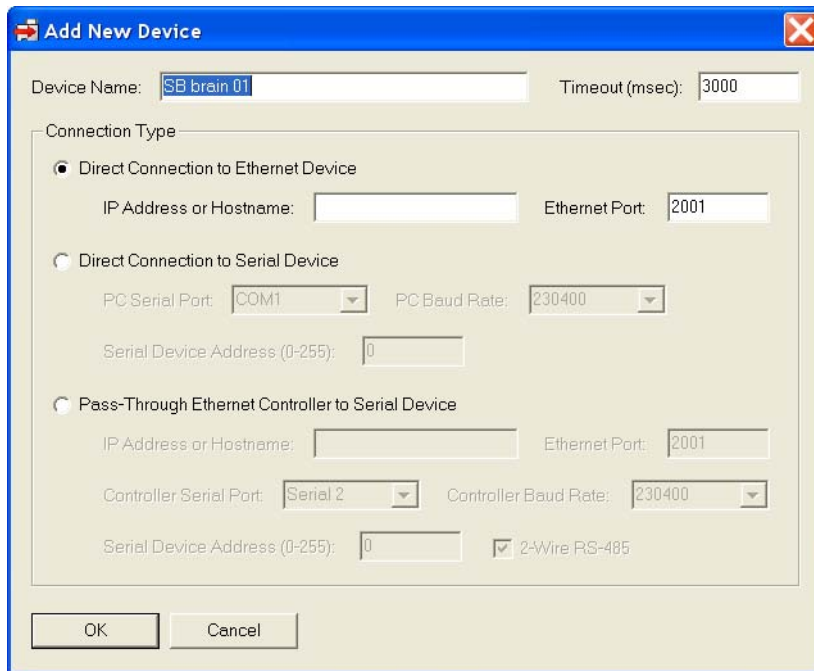
The PAC Manager main window opens.



2. In the PAC Manager main window, click the Inspect button .

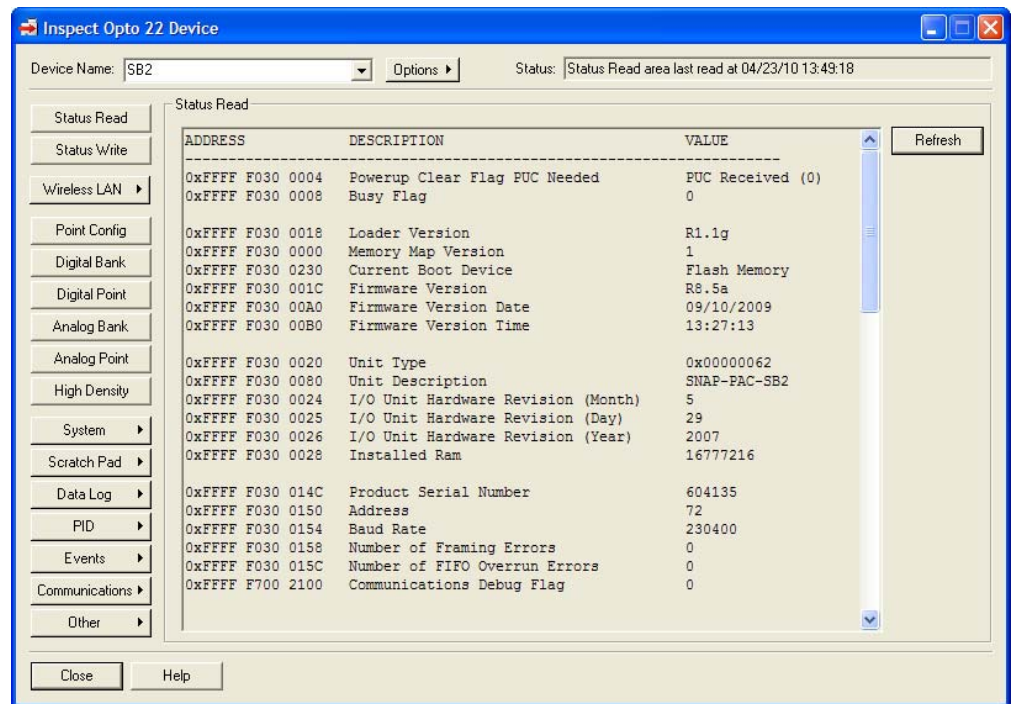


3. In the Device Name field, enter the name of the brain (usually the I/O unit name configured in PAC Control) or choose the name from the drop-down list.
4. If the brain has already been defined in PAC Manager, skip to [step 7](#).
If the brain has not been defined, the Add New Device dialog box appears.



5. Choose the Connection Type.
 - a. For an EB brain, click Direct Connection to Ethernet Device.
 - Enter the IP address of the brain.

- Leave the Ethernet port at 2001 unless you have changed it on the brain.
 - b.** For an SB brain connected directly to a PC (not to a controller), click Direct Connection to Serial Device.
 - Make sure the PC's port is correct and that the baud rate matches that of the brain.
 - Enter the brain's address.
 - c.** For an SB brain connected to a SNAP PAC controller, click Pass-Through Ethernet Controller to Serial Device.
 - Enter the IP address of the controller.
 - Leave the controller's Ethernet port as 2001 unless you have changed it.
 - Enter the controller's serial port. On a SNAP-PAC-S1 controller, choose Serial 2. On a SNAP-PAC-S2, choose the port the brain is connected to.
 - Make sure the controller's baud rate matches that of the brain.
 - Enter the brain's address. If you are using a 2-wire connection, check 2-Wire RS-485.
 - d.** If network timing isn't working, change the Timeout value in the upper right.
- 6.** Click OK.
 - 7.** In the Inspect Opto 22 Device window, click the Status Read button in the upper left. Information from the brain is displayed in the window.



Keep this window open on your screen when you call Product Support.

For explanations of the data shown, see [PAC Manager User's Guide](#) (form 1704).

Troubleshooting SNAP PAC Brains

If you encounter a problem while installing or using SNAP PAC brains, these sections may help.

- For SNAP PAC **EB** brains, see the next section.
- For SNAP PAC **SB** brains, see [page 49](#).

If you need to contact Opto 22 Product Support, see [“For Help” on page 5](#).

Communicating with a Wired EB Brain

If you attempt to connect to the brain using its IP address and you cannot, first check the following:

- Make sure the brain has been turned on and the LNK and STAT LEDs for the connected Ethernet interfaces are lit (see [“LEDs and Network Interfaces—Wired Ethernet Brains” on page 31](#).)
- If the brain has been networked in a daisy-chain configuration, check to see if another brain in the chain has lost power. Also make sure all network connections are correct. (See [“Using SNAP PAC Ethernet Brain Wired Network Interfaces” on page 28](#).)
- Make sure the brain’s hold-down screw has been tightened so that it is firmly attached to the rack. (Do not overtighten.)
- Verify that you typed in the correct address for the brain. Check the label on the side of the brain, where the IP address should be written.
- Make sure the brain has been assigned a valid IP address and subnet mask. SNAP PAC brains come from the factory with a default IP address of 0.0.0.0, which is invalid. The default subnet mask is 255.255.255.0. To assign an IP address and subnet mask, see the *PAC Manager User’s Guide*.
- Make sure that no red LEDs on the brain are lit. A red LED could indicate a voltage supply problem. Each brain should have its own power supply. The brain needs a minimum of 5.0 VDC, measured at the rack.
- Make sure you have up-to-date drivers installed on your computer’s Network Interface Card (NIC). Contact your system administrator or the manufacturer of the card for help.
- Make sure you have Administrator privileges on your computer and that any firewall in the computer is temporarily disabled before you try to assign or change IP addresses, load firmware using PAC Manager’s Maintenance window, or work with files on the brain. BootP and FTP cannot function through a firewall in the PC. Firewalls in a router are less likely to be a problem.

Pinging the Brain

If you still cannot communicate with the brain after you have checked these items, try to reach it using the PING protocol.

1. Choose Start > Programs > Accessories and open a command prompt window.
2. At the prompt, type: `ping [brain’s IP address]`

For example, type: `ping 10.192.54.40`

If the brain responds, go to [“Accessing the Ethernet Brain with PAC Manager” on page 47](#).

If the PING command cannot be found, choose Start > Control Panel > Network. Make sure TCP/IP is configured as a protocol and that an IP address and subnet mask are assigned.

If you see the message “Destination host route not defined,” the brain probably has an inappropriate IP address and subnet mask. Make sure the IP address and subnet mask on the brain are compatible with those on the computer. Follow the directions beginning on [page 40](#) to check the IP address and subnet mask on the brain, and change them if necessary.

If you see the message “No response from host,” check the following:

- Are the computer and brain correctly connected? Is the brain turned on?
- Are the IP address and subnet mask on the brain compatible with those on the computer?
- Is the brain in reset mode? (Check for a blinking STAT LED. STAT blink codes are shown on [page 41](#).)

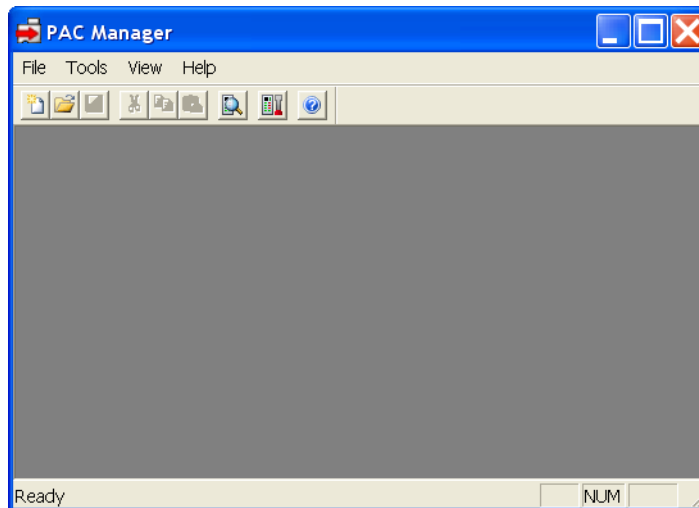
If you still cannot ping the brain, contact Opto 22 Product Support. (See [page 5](#).)


Accessing the Ethernet Brain with PAC Manager

Once you know you can ping the brain, try to access it using PAC Manager. You will need to know the brain’s IP address.

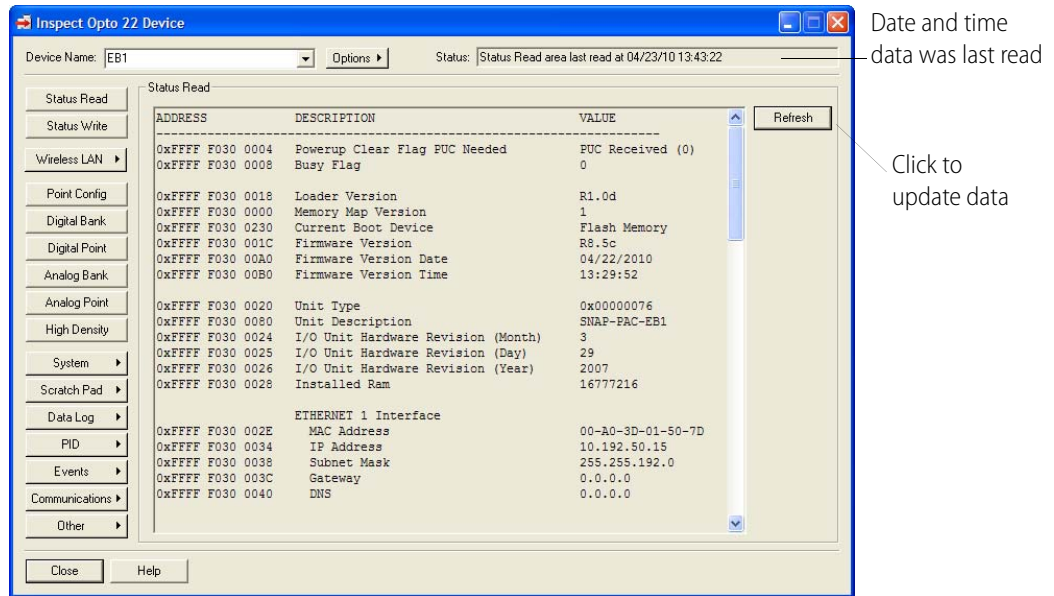
1. If PAC Manager is not already open, choose Start > Programs > Opto 22 > PAC Project > PAC Manager.

The PAC Manager main window opens:



2. In the PAC Manager main window, click the Inspect button .
3. In the Device Name field, enter the name of the brain or choose the name from the drop-down list. (You can also type in the brain’s IP address.)
4. Click Status Read.

Information from the brain is displayed in the window:



If information does not appear, contact Product Support. (See [page 5](#).)


Solving Ethernet Network Problems

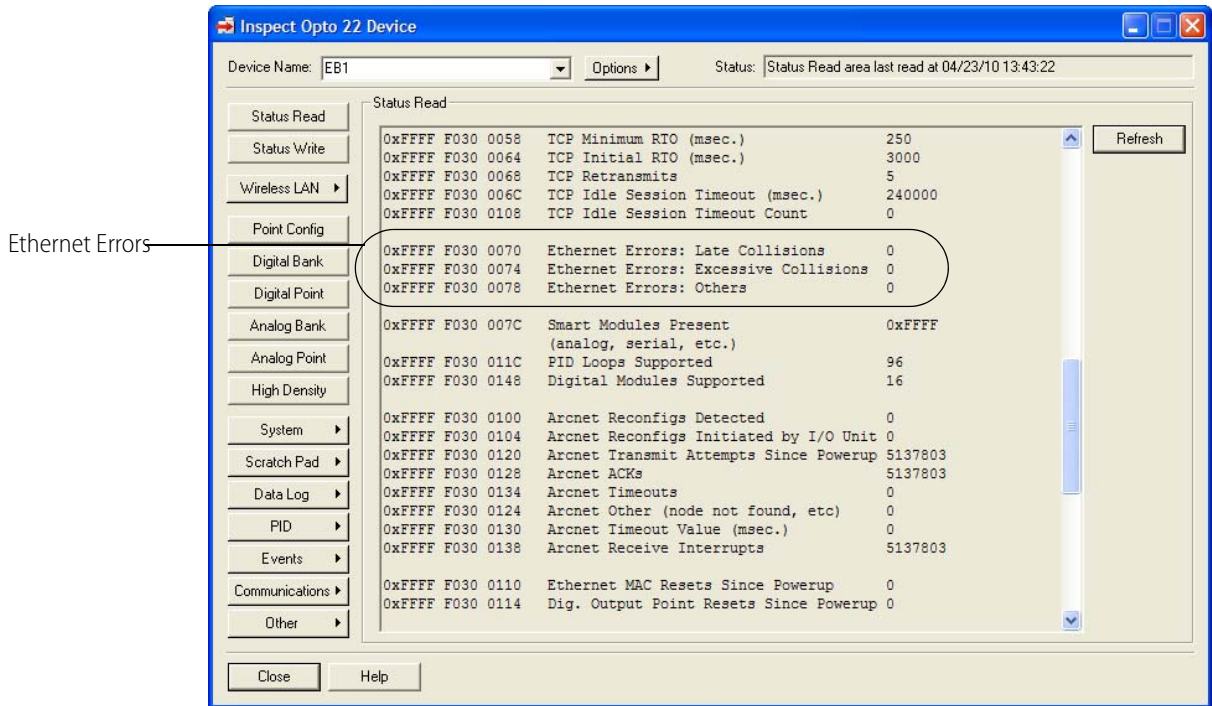
If there are recurring problems in communicating with the brain, check your network. The cables, routers, and so on in your Ethernet network are not part of the Opto 22 hardware, but any problems in your network may affect communication with Opto 22 products.

Create a Network Diagram—First, create a network diagram and verify the following:

- Cable connectors are firmly inserted.
- The Ethernet network switch has power. Switch LEDs indicate that the connection is up. If SNAP PAC brains are daisy-chained, LNK LEDs for both of their Ethernet interfaces are lit.
- Neither the PC nor the brain uses the switch's uplink port.
- The two switched network interfaces on the brain are being used correctly and are not creating a loop anywhere in the network (see ["Using SNAP PAC Ethernet Brain Wired Network Interfaces" on page 28](#)).
- The brain's LNK LED(s) are lit.

Check Ethernet Errors—Next, use PAC Manager to check Ethernet errors reported by the brain. These errors indicate network problems. You will need to know the brain's device name (usually the same as the I/O unit in PAC Control) or its IP address.

1. Choose Start > Programs > Opto 22 > PAC Project Software > PAC Manager.
2. In the PAC Manager main window, click the Inspect icon .
3. In the Device Name field, type the brain's name (or IP address). Click Status Read.
4. Scroll down until you see the items Ethernet Errors: Late Collisions, Ethernet Errors: Excessive Collisions, and Ethernet Errors: Others.



All three of these items should have a value of zero. If any of these items has a value other than zero, you may have a network problem.

Analyze Communication Packets—If it appears that you have network problems, you can use a utility program such as Wireshark (www.wireshark.org) to log and analyze network communication packets.

Have Your Network Certified—If you suspect network problems, you may need to have your network professionally certified. Opto 22 does not offer network validation or certification services, but many network hardware manufacturers do. Contact the manufacturer of your Ethernet network hardware to have them diagnose, fix, and certify your network.

If you continue to have problems communicating with the SNAP PAC brain after your network is certified, contact Opto 22 Product Support. (See [page 5](#).)

Communicating with the SB Brain

If you are having trouble communicating with the SNAP PAC serial brain, check the following:

- Make sure the brain has been turned on and that the STAT LED is lit (green).
- Make sure the brain's hold-down screw has been tightened so that it is firmly attached to the rack. (Do not overtighten.)
- If you're accessing the brain through a SNAP PAC S-series controller, make sure you can communicate with the controller over Ethernet. For help, see the controller user's guide (form #1592).
- Check physical connections between the controller or PC and the brain.
- Verify that the following serial parameters on the controller or PC and the brain correspond: baud rate, address, 2-wire or 4-wire connections.

- Make sure termination switches are set correctly for all brains on the serial network.
- Make sure that power to the brain is sufficient. Each brain should have its own power supply. The brain needs a minimum of 5.0 VDC, measured at the rack.

Timeout Errors when Communicating via a Controller

- To avoid timeout issues when communicating from a controller to a serial brain, you should configure matching turnaround delays in both the controller and the brain. (Turnaround delays are typically required at 9600 baud—and sometimes needed at higher baud rates when your RS-485/422 bus is using repeaters.)
 - Configure the controller's turnaround time in PAC Manager > Tools > Inspect > Status Write button > Turn-Around Delay for Port <#> (msec).
<#> represents the port number that the controller is using to connect to the brain.
 - Configure the same turnaround time for the brain in PAC Manager > Tools > Inspect > Status Write button > Turn-Around Delay for Port <#> (msec).

The amount of turnaround time you'll need depends on the RS-485 cable connecting the devices (turnaround time increases with the length of the cable). Start with a 1 millisecond delay, and then, if you're still experiencing issues, increase the turnaround time until the connection is satisfactory.

- If you get a timeout error when trying to establish communication between an S-series controller and a serial brain (for example, a SNAP-PAC-SB2), the problem could be configuration-related.
 - If you get the error when trying to run a PAC Control strategy, make sure that the baud rate on the brain's Baud Rate Switch is the same as the baud rate configured in your PAC Control strategy (File > Strategy Options > Serial I/O Ports tab). For example, if the brain's baud rate is set at 115,200 Kbs, then the serial I/O (RS-485) port in your strategy must also be configured for 115,200 Kbs.
 - If you get a timeout error when using PAC Manager to communicate with the brain via a controller:
 - a. Check that the baud rate setting on the brain is the same as the baud rate configured in PAC Manager (Tools > Inspect > Communications > PPP Configure > Serial Port Speed).
 - b. If that doesn't solve the problem, then make sure the brain's baud rate setting is the same as the baud rate in the controller's strategy (File > Strategy Options > Serial I/O Ports tab).


When you've configured the same baud rate for the brain, the strategy, and PAC Manager, you then need to cycle power to the controller. Cycling power releases a lock previously put on the configured communication port, and allows the new connection to succeed.

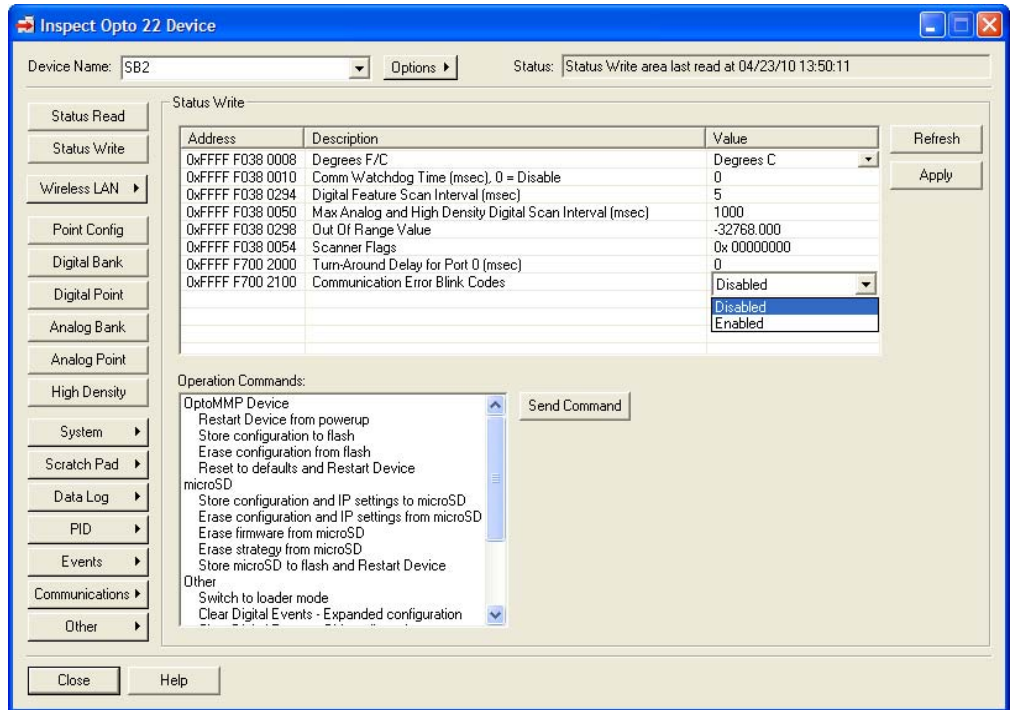
Turning on Communication Error Blink Codes (Serial Brain)

To troubleshoot communication with the SB brain, you can turn on communication error blink codes following the steps below.

NOTE: Turn on blink codes only for debugging purposes; they will degrade performance.

1. If PAC Manager is not already open, choose Start > Programs > Opto 22 > PAC Project > PAC Manager.

2. In the PAC Manager main window, click the Inspect button .
3. In the Device Name field, enter the name of the SB brain or choose it from the drop-down list (for help, see [page 43](#)).
4. Click the Status Write button.
5. Click the Value field for Communication Error Blink Codes.



6. From the drop-down list, choose Enabled. Click the Apply button.

Once you’ve turned on communication error blink codes, the STAT LED blinks orange (a combination of red and green) to indicate the following:

Number of Blinks	Speed of Blinks	Means
2	fast	Serial communication CRC error
3	fast	Incorrect serial packet type
4	fast	Malformed serial packet. Did not receive entire packet.
5	fast	OptoMMP application error
6	fast	UART Receive error
7	fast	UART Send error
8	fast	Packet address doesn’t match brain’s address

IMPORTANT: Don’t forget to disable communication error blink codes when you’ve finished troubleshooting.

Additional Troubleshooting Tools

Making Sure the Brain is in Normal Mode

If you are having trouble communicating with the brain, it might be in *failsafe bootloader mode* or *hardware reset mode*. The brain restarts in one of these modes if you hold down the RESET button longer than the time needed to restore default settings. For more information on using the RESET button, see [“Resetting the Brain” on page 40](#).




- *Failsafe bootloader mode* is a diagnostic mode you normally use only when an Opto 22 Product Support engineer suggests it. If the brain is in this mode, you’ll know because the STAT LED blinks green seven times, quickly. If your brain restarts in failsafe bootloader mode, simply cycle power to the device. The brain will restart, and you should be able to communicate with it.
- The brain enters *hardware reset mode* if you hold down the RESET button for more than five seconds. At that point the STAT LED blinks orange quickly and continuously. This mode erases any files in RAM and flash memory and puts the brain into a continuous testing loop. If your brain is in hardware reset mode, cycle power to it, and it will restart as if you had reset it to factory defaults. On an EB brain, you’ll need to reassign an IP address and subnet mask.

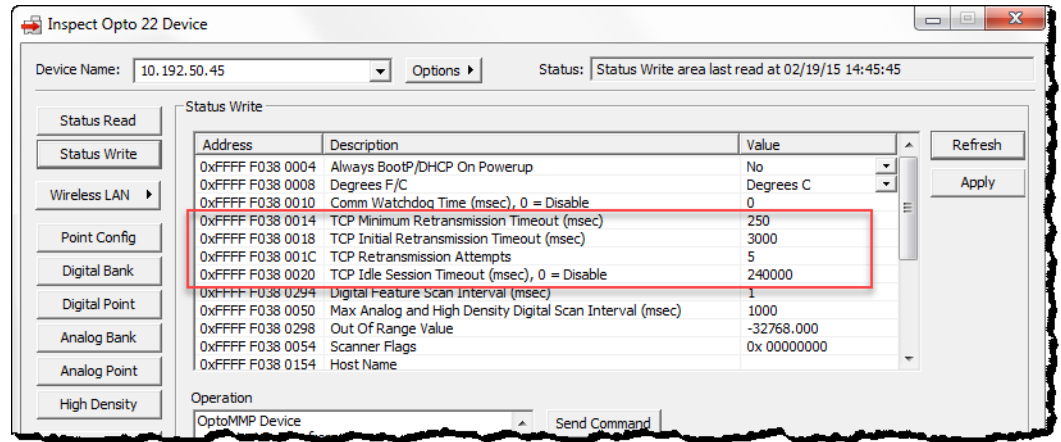
TCP Settings (Ethernet Brains)

Retransmit timeout (RTO) refers to the length of time the controller waits while communicating before timing out. The RTO is determined by the controller’s TCP/IP stack, and the stack continually recalculates the RTO based on recent network traffic. If the network becomes busier, for example, the stack automatically adjusts the RTO to a higher value.

If the TCP/IP stack times out while trying to transmit data, it doubles the current RTO and tries again. This process continues for five retries; after that, the device stops trying and sends a timeout message.

If you are receiving frequent timeout messages from the device, you can change the TCP parameters in PAC Manager.

1. Start PAC Manager:
 - In Windows 7 and Windows Vista, press the Windows Start key , and then click Programs > Opto 22 > PAC Project > PAC Manager.
 - In Windows 10 and Windows 8.1, press the Windows Start key , type `PAC Manager 9.6` and then press the Enter key.
2. In the PAC Manager main window, click the Inspect icon .
3. In the Device Name field, type the name or IP address of the controller. Then, click Status Write.



CAUTION: Note the following recommended settings:

TCP Minimum Retransmission Timeout (msec):	250
TCP Initial Retransmission Timeout (msec):	3000
TCP Retransmission Attempts:	5
TCP Idle Session Timeout (msec):	240,000

If you set these fields too low, you may not be able to communicate with the device at all—even through PAC Manager—to fix the settings. Then you would have to reset the controller to factory defaults.

4. Change these four fields as necessary:

Minimum RTO sets an absolute minimum value for the RTO. The device's calculated RTO will never go below this value.

Initial RTO sets the RTO for the first communication try. Be careful: since all future tries are based on this value, if you set it too low for network conditions, a connection will never be made.

TCP Retransmits sets the number of times the device retries communication. Larger, busier networks need a higher number of retransmits than smaller networks with less traffic.

TCP idle session timeout sets how long (in milliseconds) the device allows a session to remain open without any activity. After this time, the device checks the session to make sure it is still good, and closes it if it is not. The default is 240,000 milliseconds, or four minutes.

5. Click the Apply button to write your changes to the controller.
 6. In the Operation Commands list, highlight Store configuration to flash. Click Send Command.
 7. In the Operation Commands list, highlight Restart brain from powerup. Click Send Command.
- The new TCP parameters are set.

A: Serial Cables and Addressing

Serial Cables

The following cables are recommended for RS-485 serial communications. Although you may elect to use other cables, keep in mind that low capacitance (less than 15 pF/ft.) is important for high-speed digital communication links. The cables listed below are all 24-gauge, 7x32 stranded, with 100 ohm nominal impedance and a capacitance of 12.5 pF/ft.

Select from the following two-, three-, and four-pair cables, depending on your application needs. All will yield satisfactory results. We recommend that you choose a cable with one more pair than your application requires. Use one of the extra wires, rather than the shield, for the common.

Two-Pair:

Belden P/N 8102 (with overall shield)
 Belden P/N 9729 (individually shielded)
 Belden P/N 8162 (individually shielded with overall shield)
 Manhattan P/N M3475 (individually shielded with overall shield)
 Manhattan P/N M39249 (individually shielded with overall shield)

Three-Pair:

Belden P/N 8103 (with overall shield)
 Belden P/N 9730 (individually shielded)
 Belden P/N 8163 (individually shielded with overall shield)
 Manhattan P/N M3476 (individually shielded with overall shield)
 Manhattan P/N M39250 (individually shielded with overall shield)

Four-Pair:

Belden P/N 8104 (with overall shield)
 Belden P/N 9728 (individually shielded)
 Belden P/N 8164 (individually shielded with overall shield)
 Manhattan P/N M3477 (individually shielded with overall shield)
 Manhattan P/N M39251 (individually shielded with overall shield)

Address Table

Serial addresses from 0–255 can be used for serial-based SNAP PAC brains. The brain's address is set using the two rotary switches on the top of the brain, as shown on [page 11](#). The table on the following page shows switch settings for each address.

Index

A

- accessing brain over the Internet, 19
- ACT LED, 31
- address for serial brain, 55
- Allen-Bradley PLC, communicating with, 4, 18, 23
- analog point
 - average filter weight, 36
 - clamping, 36
 - gain, 36
 - maximum value, 36
 - minimum value, 36
 - offset, 36
 - PID loop control, 36
 - ramping, 36
 - scaling, 36
 - totalizer, 36
 - TPO, 35
 - watchdog, 36
- average filter weight, 36

B

- baud rate, 11
- blink codes, 41
 - SB brain communication, 50
- brain
 - comparing features, 33
 - Ethernet networking, 26
 - FTP, 37
 - installing, 10
 - Scratch Pad, 37
 - serial networking, 11

C

- calibrating analog point, 36
- clamping analog output point, 36
- communicating

- choosing methods, 20
 - with Ethernet brain, 17
 - pinging the brain, 46
 - problems with, 46
 - simultaneously, 18
 - with serial brain, 19
 - blink codes, 50
 - troubleshooting, 49
- communication error blink codes, 50
- comparing brain features, 33
- computer, connecting directly to EB brain, 26
- computer, connecting directly to serial brain, 25
- connecting to brain
 - daisy-chaining, 28, 29
 - Ethernet network interfaces, 28
 - serial wiring diagrams, 13
 - troubleshooting EB brain, 46
 - troubleshooting SB brain, 49
- counter, description, 35

D

- daisy chain, 28, 29
- data logging, 37
- data mirroring, 37
- database connectivity, 18, 19
- default settings, restoring, 40
- digital point
 - counter, 35
 - latching, 35
 - quadrature counter, 35
 - state, 35
 - totalizer, 35
 - TPO, 35
 - watchdog, 36
- direct connection
 - Ethernet, 26
 - serial, 25
- distributed system, 21, 22

E

- email, 37
- enterprise management system, 37
- Ethernet brain
 - communication, 17
 - troubleshooting, 46
- Ethernet network
 - accessing brain over the Internet, 19
 - architecture, 26
 - attaching brain to existing network, 26
 - certification, 49
 - daisy-chaining brains, 28
 - errors, 48
 - incorrect connections (diagram), 29
 - independent control network, 27
 - interfaces, 28, 31
 - troubleshooting, 48
- EtherNet/IP, 4, 18
- event, 37
- event messages, 37

F

- Factory Mutual-approved brains, 1
- failsafe bootloader mode, 40, 52
- features
 - comparison of brain models, 33
 - descriptions of, 35
- file system on brain, 37
- firmware, loading, 40
- frequency measurement, 35
- FTP, 18, 37

G

- gain, definition, 36
- generating
 - pulse, 35
 - square wave, 35

H

- hardware, getting data about, 43
- help
 - blink codes, 41
 - Ethernet network problems, 48
 - LED descriptions, 31, 32
 - Product Support, 5
- high-density digital counter, 35

I

- I/O modules
 - installing, 8
 - removing, 9
- I/O point features, 35
- I/O processor
 - Ethernet brain used independently, 23
 - serial brain used independently, 25
- installing
 - brain on rack, 10
 - I/O modules, 8
 - mounting rack, 8
 - quick start, 7
- Internet, accessing brain over, 19
- IP filtering, 37
- IRQ LED, 32

L

- latch, definition, 35
- LEDs
 - blink codes, 41, 50
 - description, 31, 32
 - red, 46
- LNK LED, 31
- loop control on analog point, 36

M

- maximum value, 36
- measuring
 - frequency, 35
 - period, 35
 - pulses, 35
- memory map copying, 37
- minimum value, 36
- Modbus/TCP, 4, 18
- mounting rack, installing, 8

N

- network
 - attaching EB brain to existing network, 26
 - certification, 49
 - daisy-chaining brains, 28
 - Ethernet errors, 48
 - Ethernet interfaces, 28, 31
 - incorrect Ethernet connections (diagram), 29
 - independent Ethernet network, 27
 - serial port, 32
 - termination, 13
 - troubleshooting Ethernet, 48

wireless LAN, 27

O

off-latch, 35
off-pulse measurement, 35
offset, definition, 36
off-time totalizer, 35
on-latch, 35
on-pulse measurement, 35
on-time totalizer, 35
OPC, 4, 18, 19
Opto 22 Product Support, 5
OptoDataLink, 4, 18, 19
OptoMMP, 4, 18, 19
OptoOPCServer, 18, 19

P

PAC Control, 4, 17, 19
PAC Manager, 4, 18, 19
PCI-AC48 adapter card, 25
peak, 36
period measurement, 35
PID loop control, 36
ping, 46
port access, limiting, 37
Product Support, 5
pulse
 generation, 35
 measurement, 35

Q

quadrature counter, 35
quick start, 7

R

rack for I/O modules, installing, 8
ramping analog output point, 36
removing I/O modules, 9
RESET button, 40, 52
restoring default settings, 40
retransmit timeout (RTO), 52
RSTP, 29

S

scaling, description, 36
Scratch Pad areas, 37

security, 37
serial brain
 addressing, 55
 cables, 55
 communication, 19
 installation, 11
 troubleshooting, 49
 wiring diagrams, 13
SERIAL LED, 32
serial network, 11
 addressing, 55
 port, 32
 wiring diagrams, 13
SMTP, 18
SNAP PAC System illustration, 21
SNAP-PAC-EB1, features, 33
SNAP-PAC-EB2, features, 33
SNAP-PAC-SB1, features, 33
SNAP-PAC-SB2, features, 33
SNMP, 18, 37
specifications, 30
square wave generation, 35
STAT LED, 31, 32
state of digital point, 35
status conditions (blink codes), 41
STP, 29
system architecture, 26

T

TCP/IP
 multiple sessions, 18
 settings, 52
 stack, 52
technical support, 5
termination, 13
termination and bias, 11
thermocouple linearization, definition, 36
timed event, 37
timeout, 52
time-proportional output, 35
totalizer
 analog, 36
 digital, 35
TPO, 35
troubleshooting
 blink codes, 41
 Ethernet brain, 46
 Ethernet network, 48
 LED descriptions, 31, 32
 Product Support, 5
 serial brain, 49

V

valley, 36

W

watchdog, definition, 36

wireless LAN, 27

 diagram, 22

wiring diagrams

 serial brain, 13