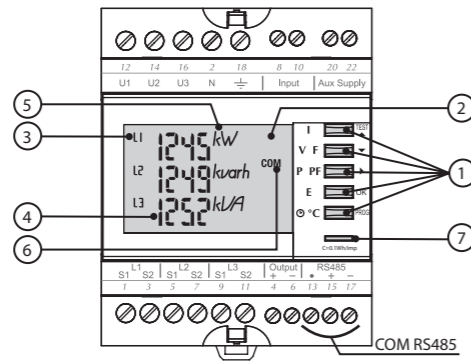


DIRIS A-10

1

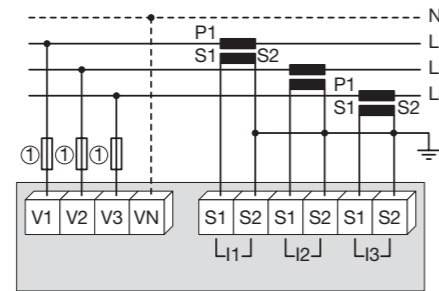
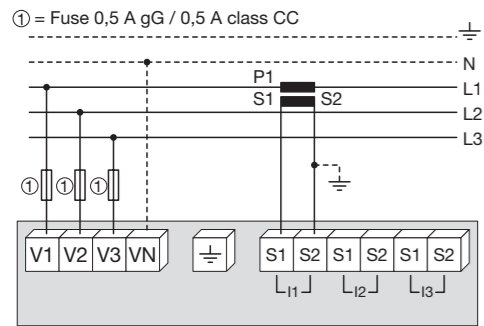
1. 5 keys Key-pad
2. LCD display
3. Phase
4. Values
5. Unit
6. Communication indication
7. Energy metering indication



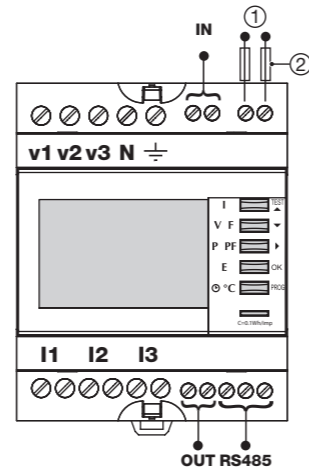
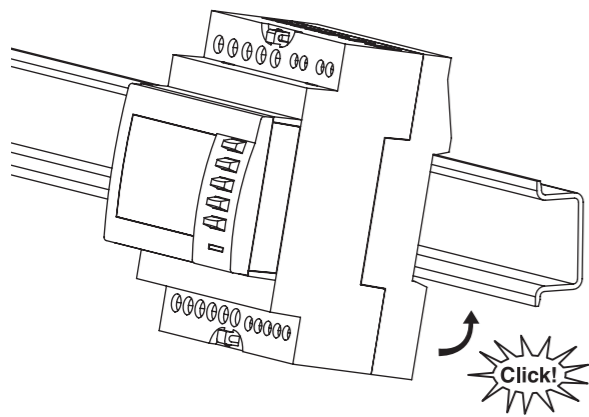
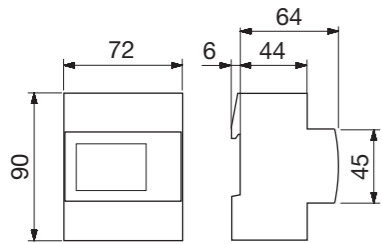
2

1P+N - 1CT

3P+N - 3CT



(mm)



① Aux.: IEC / CE 110 ... 277 V AC (-10/+15%)
120 ... 300 V DC (+/-10%)

② Fus.: 0,5 A gG / BS 88 2A gG / 0,5 A class CC

3



www.socomec.com/diris-a10

DIRIS A-20

1

1. 4 keys Key-pad
2. LCD display
3. Phase
4. Values
5. Unit
6. Communication indication
7. Energy metering indication

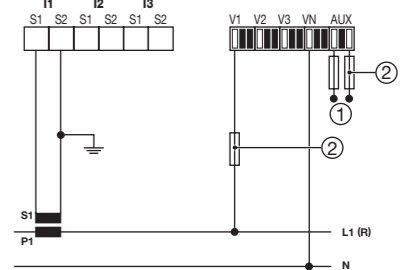
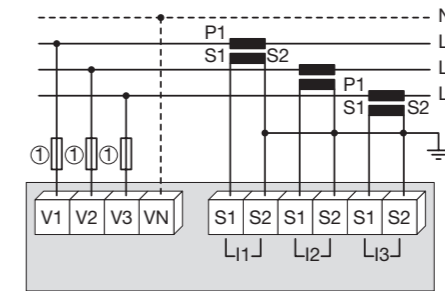
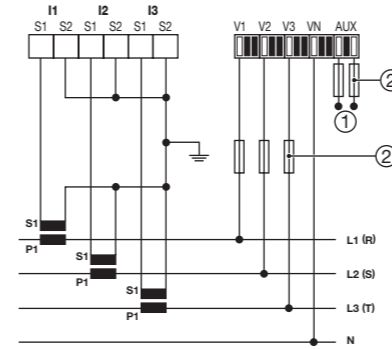


2

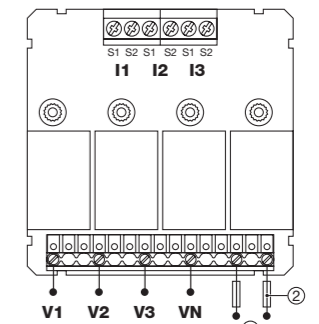
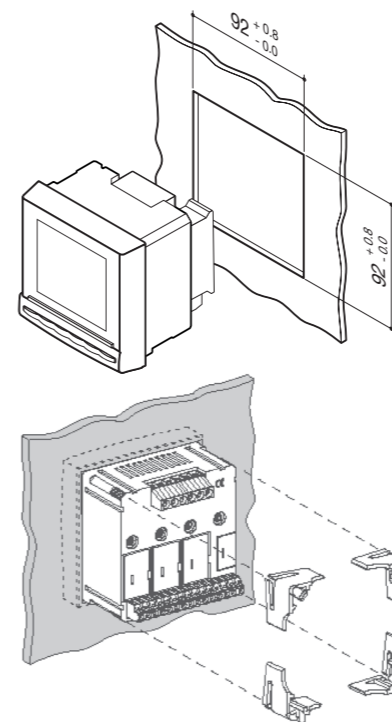
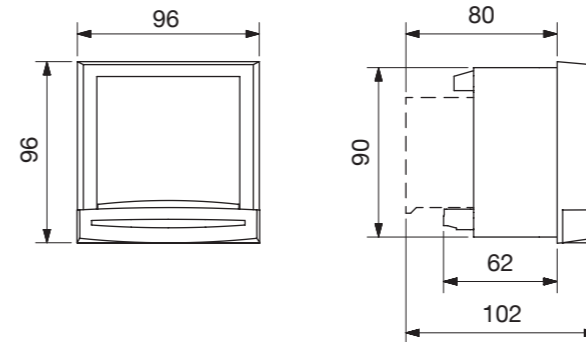
3P+N - 3CT

3P - 3CT

1P+N - CT

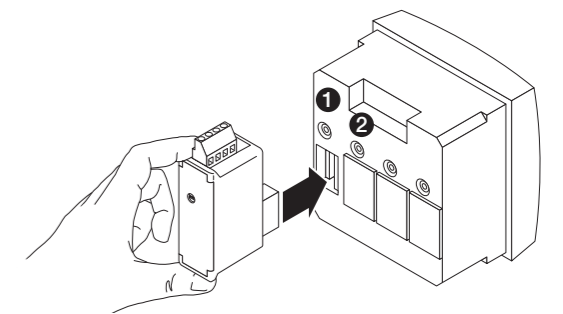


(mm)



① Aux.: IEC / CE 110 ... 400 V AC
120 ... 350 V DC

② Fus.: 0,5 A gG / BS 88 2A gG / 0,5 A class CC



	Nb maximum	①	②
Pulse Module	2	x	x
RS485 Modbus Module	1	x	x
3in /1out digital Module	2	x	x
2in /2out digital Module	2	x	x

3



www.socomec.com/diris-a20