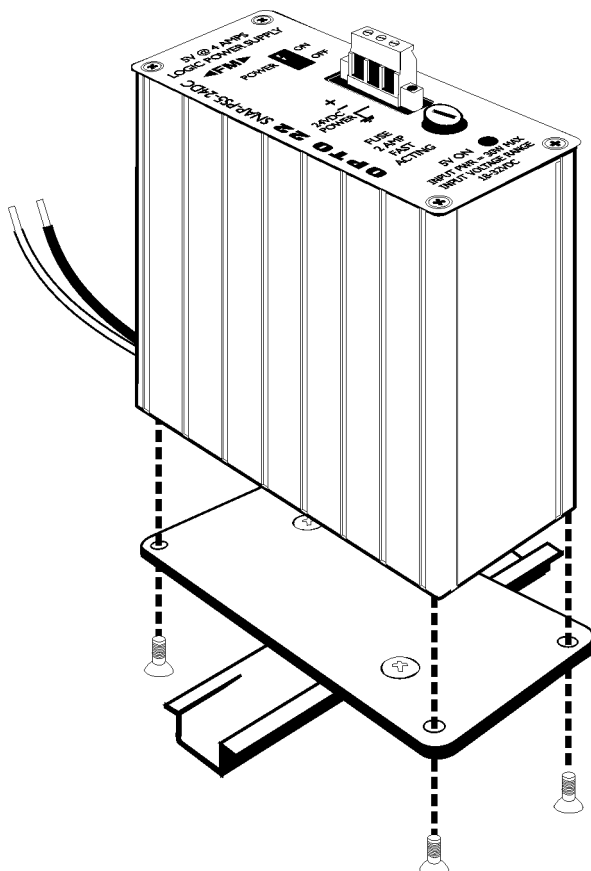


# SNAP-PSDIN and SNAP-PSUDIN Installation

## Installation Steps

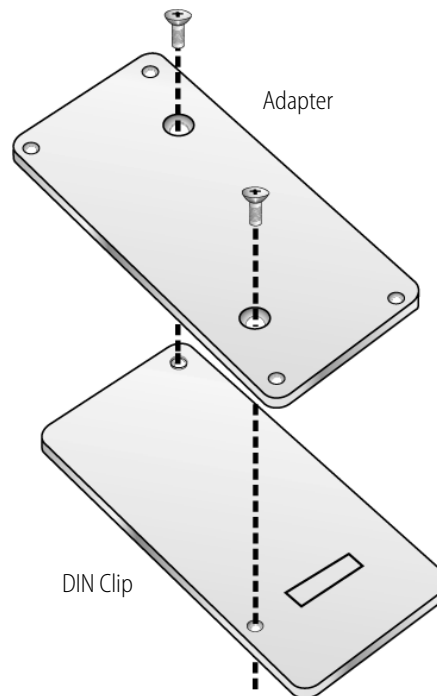
Follow these steps to mount your SNAP power supply or standalone controller on a DIN rail, using the enclosed mounting kit.

1. Turn the SNAP device upside down and remove the four screws that fasten the panel mounting base plate to the device. **Save the screws.** Remove the device's base plate.
2. Using the two flat-head screws included with the kit, assemble the SNAP-PSDIN or SNAP-PSUDIN adapter to the DIN clip, as shown in the diagram at right.
3. Use the four screws removed in step 1 to fasten the DIN-rail adapter clip to the bottom of the device, as shown.



## Compatibility

For this device	Use this kit
SNAP-PS5 power supply SNAP-PS5-24DC power supply SNAP-PS24 power supply SNAP-PAC-S1 controller SNAP-PAC-S1-FM controller SNAP-LCE controller SNAP-LCSX controller SNAP-LCSX-PLUS controller	SNAP-PSDIN
SNAP-PS5U power supply SNAP-PS24U power supply	SNAP-PSUDIN



The SNAP-PS5-24DC power supply is shown in this example. Other devices have similar base plates.